

ARADA

DEVON

Timeless Classics

Putting warmth at the heart of the home



# ARADA

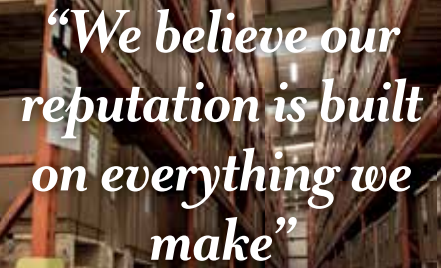
DEVON

From the tiny acorn of a small engineering firm founded in 1966 the core ideals of designing and manufacturing affordable, robust and pleasurable products for the British homeowner are still at the heart of Arada.



*“We’ve been warming homes and hearts for decades”*

Transformed into a mighty oak at our 54,000 sq.ft manufacturing base in Axminster, we design, manufacture and globally distribute not just wood and multifuel stoves, but also electric fires, gas stoves and outdoor heating appliances.



*“We believe our reputation is built on everything we make”*



An Arada stove is so much more than just a black steel box, each one starts life in the hands of our craftsmen. Raw steel is crafted with precision. Exacting joins are welded at 1500°C. Sparks fly as surfaces are perfected.

Our stoves bear the hallmarks of being designed, engineered and built in Britain by people who take pride in a job well done and that believe that ownership of an Arada stove should be a pleasure.



*“The Arada badge is your ‘built-to last’ guarantee.”*

Our stoves come with either lifetime or extra-long life stove body guarantees. We won't ask you to register first either, our guarantees come as standard\*.

**10**  
YEAR  
GUARANTEE

**LIFETIME**  
GUARANTEE

\*Stove must have been purchased from an authorised retailer and installed following regulations governing the fitting of wood burning and solid fuel appliances in the country of installation.





## Modern & Traditional Stove Styles

Our collection of stoves are designed to suit the look and style of different homes, whether it's to upgrade a classic fireplace or as a statement in a contemporary open-plan living space.

## Accessories

We also design and manufacture extras such as log stores, stands, pedestals, handles and more that let you create the perfect focal point for your room and nail the practicalities of owning a stove.



## Outdoor Living

We're not just about stoves! We've brought our heating design and expertise to the great outdoors with a range of attractive garden fire pits, chimeneas, and more.

# M Series 5 Widescreen



M Series 5 Widescreen with Cast Iron door shown on optional log store

*The New M Series 5 Widescreen is a 4.9kW wood burning stove based on our proven Ecodesign Ready technologies for greater fuel efficiency and lower emissions than an open fire or a 10 year old stove.*

*The combination of slim door bezels with one of our largest glass panes to date creates a delightful flame picture. Choose our cast iron door with its bevelled edge and 'picture frame' styling; or our steel door for a sleeker contemporary look for a finishing touch.*

## Features

- Surpasses Ecodesign standards for clean burning on Wood Fuel
- Lifetime guarantee
- Approved for use in Smoke Control Areas
- Stainless steel ash pan and throat plate
- Top or rear 127mm (5") flue outlet
- Click-close door latch
- Direct air compatible
- Optional rear heat shield for closer positioning to combustibles
- Two door styles and three optional stand types
- Preheated airwash system for clean glass
- Height adjusting legs as standard
- Non-smoker paint

## Dimensions

Width (across footprint)	525 mm
Height	485 mm
Depth (inc. handle)	350 mm
Max log length	375 mm



M Series 5 Widescreen with steel door

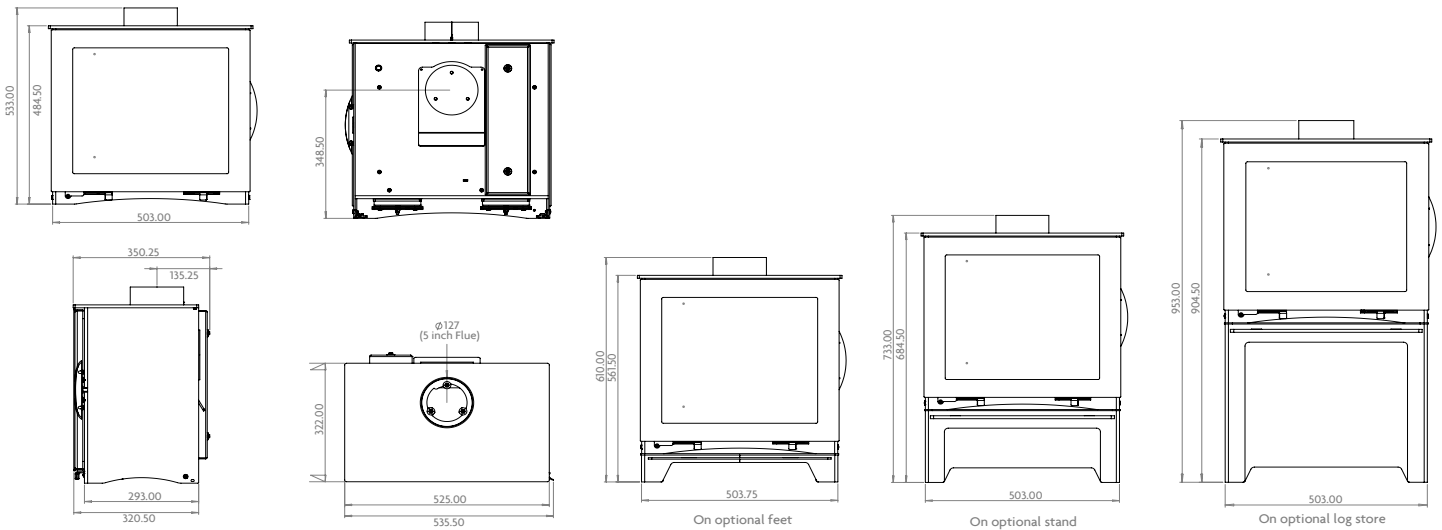


Cast Iron door and optional mid-height stand

*Optional Extras: Rear heat shield / Bolt-on feet / Stand / Log store / Direct air vent*



# M Series 5 Widescreen



## Dimensions

Width (inc. handle)	536 mm
Height (exc. top flue collar)	485 mm
Depth (inc. handle)	350 mm
Total height on optional feet (exc. top flue collar)	561.5 mm
Total height on optional stand (exc. top flue collar)	684.5 mm
Total height on optional log store (exc. top flue collar)	904.5 mm
Flue Diameter	127 mm
Depth from back to centre of top flue	135 mm
Height to centre of rear flue	349 mm
Max log length / diameter	375mm / 100mm

## Performance

	Wood Fuel
Energy Efficiency Class	A
Nett Efficiency	81.3 %
Nominal Output	4.9 kW
Output Range	1.5 - 7 kW
Mean Co Emission (@13% O2)	0.1 %
DIN+ particulate	22 Nmg/m3
Mean NOx Emission (@13% O2)	82 Nmg/m3
Mean OGC Emission (@13% O2)	68 Nmg/m3
Flue Gas Mass Flow	4.1 g/s
Flue Gas Temperature	257 °C
Typical Fuel load for nominal rated output per hour (kWh/Kg)	1.15 (Seasoned hardwood)

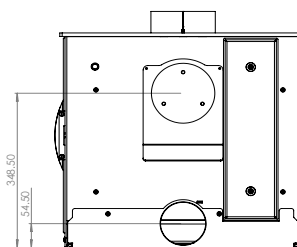
## Features

Stove body type	Freestanding
Ecodesign Ready	Yes
Suitable for smoke control areas	Yes
Suitable for direct air connection	Yes
Suitable for non-combustible 12mm hearth	Yes
Weight gross (packed kg)	92 Kg
Weight nett (unpacked kg)	87 Kg

## Minimum distance to combustibles

	A	B	C
Rear	650 mm	350 mm	150 mm
Side	350 mm	400 mm	350 mm
Max hearth temp.	99 °C	99 °C	99 °C

A = Single Walled Flue, without Rear Heat Shield fitted  
 B = Single Walled Flue, with Rear Heat Shield fitted  
 C = Twin Walled Flue, with Rear Heat Shield fitted



## Direct air

Horizontal position	Centre
Distance from floor to centre	54.5 mm

We recommend this appliance is installed with clearance of 100mm to non-combustible materials  
 Installation and operating instructions for this stove are available online at [www.aradastoves.com](http://www.aradastoves.com).

# Ecoburn 5 (Series 3)



Ecoburn 5 Series 3

*The Ecoburn 5 multi-fuel stove features the latest in Arada heating technology that combines a traditional stove appearance whilst meeting Ecodesign standards for clean burning on either wood or solid fuel.*

## Features

- Meets Ecodesign standards for clean burning on both Wood and Solid Fuel
- Lifetime guarantee
- Non-smoker paint, available in multiple colours
- Approved for use in Smoke Control Areas
- Stainless steel ash pan and throat plate
- Top or rear 127mm (5") flue outlet
- Direct air compatible
- Preheated airwash system for clean glass
- Externally controlled riddling grate
- Height adjusting legs as standard
- Optional rear heat shield for closer positioning to combustibles

## Dimensions

Width	453 mm
Height	617 mm
Depth	404 mm
Ideal log length	300 mm



Ecoburn 5

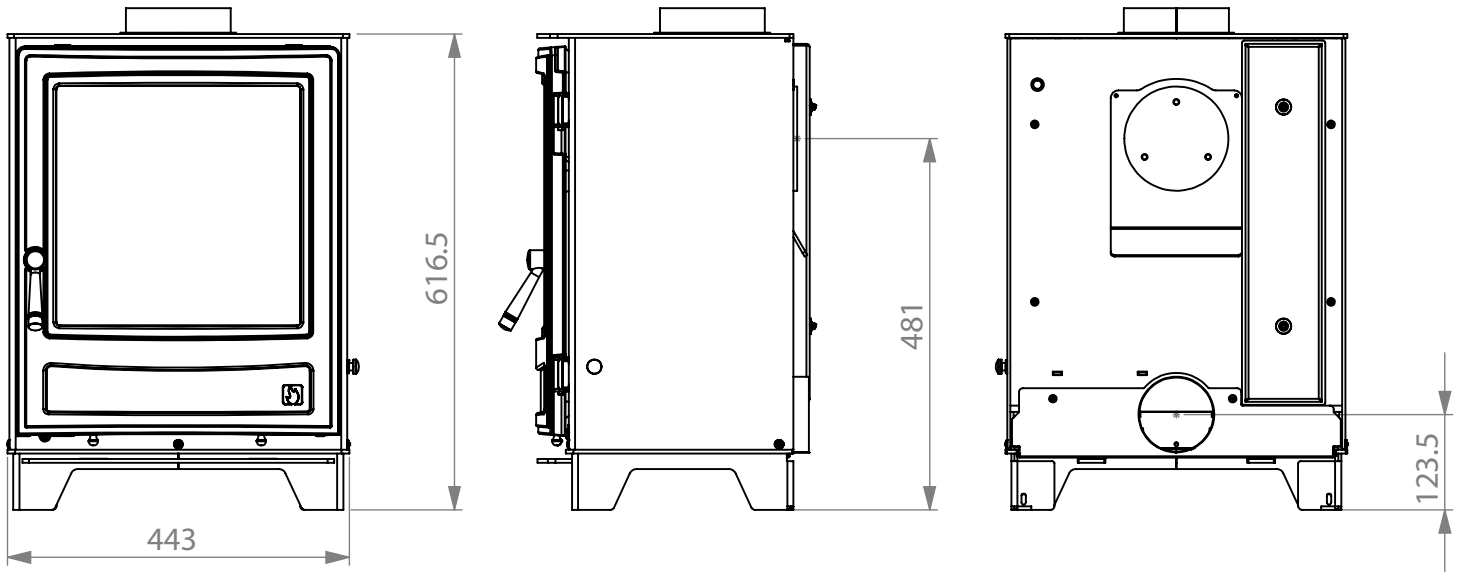


Discreet but easy to use air controls

*Optional Extras: Safety Handle / Rear heat shield / Direct air kit / Floor fixing kit*



# Ecoburn 5 (Series 3)



## Dimensions

Width (inc. riddle control)	453 mm
Height	617 mm
Depth	404 mm
Flue Diameter	127 mm
Depth from back to centre of top flue	134 mm
Height to centre of rear flue	481 mm
Ideal log length / diameter	300mm / 100mm

## Features

Stove body type	Freestanding
Ecodesign Ready	Yes
Suitable for smoke control areas	Yes
Suitable for direct air connection	Yes
Suitable for non-combustible 12mm hearth	Yes
Weight gross (packed kg)	81.5 Kg
Weight nett (unpacked kg)	76.5 Kg

## Performance

	Wood Fuel	Solid Fuel
Energy Efficiency Class	A	D
Nett Efficiency	79.8 %	82.3 %
Nominal Output	4.9 kW	4.9 kW
Output Range	4.2 - 5.5 kW	
Mean Co Emission (@13% O <sub>2</sub> )	0.11 %	0.1 %
DIN+ particulate	27 Nmg/m <sup>3</sup>	10 Nmg/m <sup>3</sup>
Mean NO <sub>x</sub> Emission (@13% O <sub>2</sub> )	95 Nmg/m <sup>3</sup>	94 Nmg/m <sup>3</sup>
Mean OGC Emission (@13% O <sub>2</sub> )	86 Nmg/m <sup>3</sup>	26 Nmg/m <sup>3</sup>
Flue Gas Mass Flow	4.7 g/s	3.5 g/s
Flue Gas Temperature	255 °C	254 °C
Typical Fuel load for nominal rated output per hour (kWh/Kg)	1.17 (Seasoned hardwood)	0.69 (MSF Maxibrite)

## Minimum distance to combustibles

	A	B	C
Rear	700 mm	350 mm	75 mm
Side	550 mm	525 mm	500 mm
Max hearth temp.	53.9 °C	51 °C	50.9 °C

A = Single Walled Flue, without Rear Heat Shield fitted  
 B = Single Walled Flue, with Rear Heat Shield fitted  
 C = Twin Walled Flue, with Rear Heat Shield fitted

## Direct air spigot location

(when viewing the rear side of the stove)

Horizontal position	Centre
Distance from floor to centre	123.5 mm

We recommend this appliance is installed with clearance of 100mm to non-combustible materials  
 Installation and operating instructions for this stove are available online at [www.aradastoves.com](http://www.aradastoves.com).

# Ecoburn 5 Widescreen (Series 3)



Ecoburn 5 Widescreen Series 3 in Atlantic blue

*The Ecoburn 5 Widescreen multi-fuel stove features the latest in Arada heating technology that combines a traditional stove appearance whilst meeting Ecodesign standards for clean burning on either wood or solid fuel.*

## Features

- Meets Ecodesign standards for clean burning on both Wood and Solid Fuel
- Lifetime guarantee
- Non-smoker paint, available in multiple colours
- Approved for use in Smoke Control Areas
- Stainless steel ash pan and throat plate
- Top or rear 127mm (5") flue outlet
- Direct air compatible
- Preheated airwash system for clean glass
- Externally controlled riddling grate
- Height adjusting legs as standard
- Optional rear heat shield for closer positioning to combustibles

## Dimensions

Width	518 mm
Height	631 mm
Depth	404 mm
Ideal log length	375 mm



Ecoburn 5 Widescreen

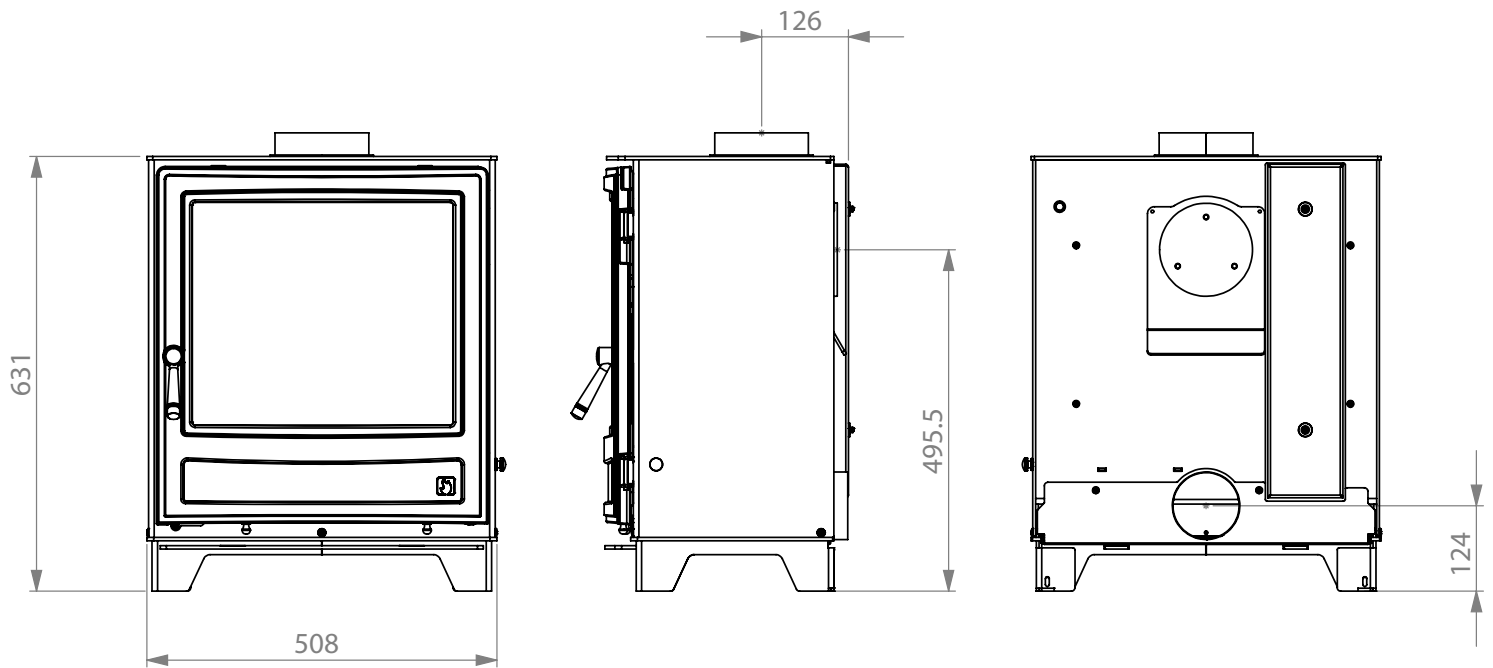


Available in multiple colours, all easy to keep clean

*Optional Extras: Safety Handle / Rear heat shield / Direct air kit / Floor fixing kit*



# Ecoburn 5 Widescreen (Series 3)



## Dimensions

Width (inc riddle control)	518 mm
Height	631 mm
Depth	404 mm
Flue Diameter	127 mm
Depth from back to centre of top flue	134 mm
Height to centre of rear flue	496 mm
Ideal log length / diameter	375mm / 100mm

## Features

Stove body type	Freestanding
Ecodesign Ready	Yes
Suitable for smoke control areas	Yes
Suitable for direct air connection	Yes
Suitable for non-combustible 12mm hearth	Yes
Weight gross (packed kg)	93 Kg
Weight nett (unpacked kg)	88 Kg

## Performance

	Wood Fuel	Solid Fuel
Energy Efficiency Class	A+	E
Nett Efficiency	81.3 %	79.3 %
Nominal Output	4.9 kW	4.9 kW
Output Range	3.9 - 5.9 kW	
Mean Co Emission (@13% O <sub>2</sub> )	0.10 %	0.09 %
DIN+ particulate	22 Nmg/m <sup>3</sup>	9 Nmg/m <sup>3</sup>
Mean NO <sub>x</sub> Emission (@13% O <sub>2</sub> )	82 Nmg/m <sup>3</sup>	102 Nmg/m <sup>3</sup>
Mean OGC Emission (@13% O <sub>2</sub> )	68 Nmg/m <sup>3</sup>	19 Nmg/m <sup>3</sup>
Flue Gas Mass Flow	4.1 g/s	4.2 g/s
Flue Gas Temperature	257 °C	281 °C
Typical Fuel load for nominal rated output per hour (kWh/Kg)	1.15 (Seasoned hardwood)	0.73 (MSF Maxibrite)

## Minimum distance to combustibles

	A	B	C
Rear	650 mm	300 mm	50 mm
Side	450 mm	450 mm	250 mm
Max hearth temp.	87 °C	43.4 °C	51.1 °C

A = Single Walled Flue, without Rear Heat Shield fitted  
 B = Single Walled Flue, with Rear Heat Shield fitted  
 C = Twin Walled Flue, with Rear Heat Shield fitted

## Direct air spigot location

(when viewing the rear side of the stove)

Horizontal position	Centre
Distance from floor to centre	124 mm

We recommend this appliance is installed with clearance of 100mm to non-combustible materials  
 Installation and operating instructions for this stove are available online at [www.aradastoves.com](http://www.aradastoves.com).

# Ecoburn 7 (Series 3)



Ecoburn 7 Series 3

*The Ecoburn 7 multi-fuel stove features the latest in Arada heating technology that combines a traditional stove appearance whilst meeting Ecodesign standards for clean burning on either wood or solid fuel.*

## Features

- Meets Ecodesign standards for clean burning on both Wood and Solid Fuel
- Lifetime guarantee
- Non-smoker paint, available in multiple colours
- Approved for use in Smoke Control Areas
- Stainless steel ash pan and throat plate
- Top or rear 127mm (5") flue outlet
- Direct air compatible
- Preheated airwash system for clean glass
- Externally controlled riddling grate
- Height adjusting legs as standard
- Optional rear heat shield for closer positioning to combustibles

## Dimensions

Width	518 mm
Height	631 mm
Depth	404 mm
Ideal log length	375 mm



Ecoburn 7

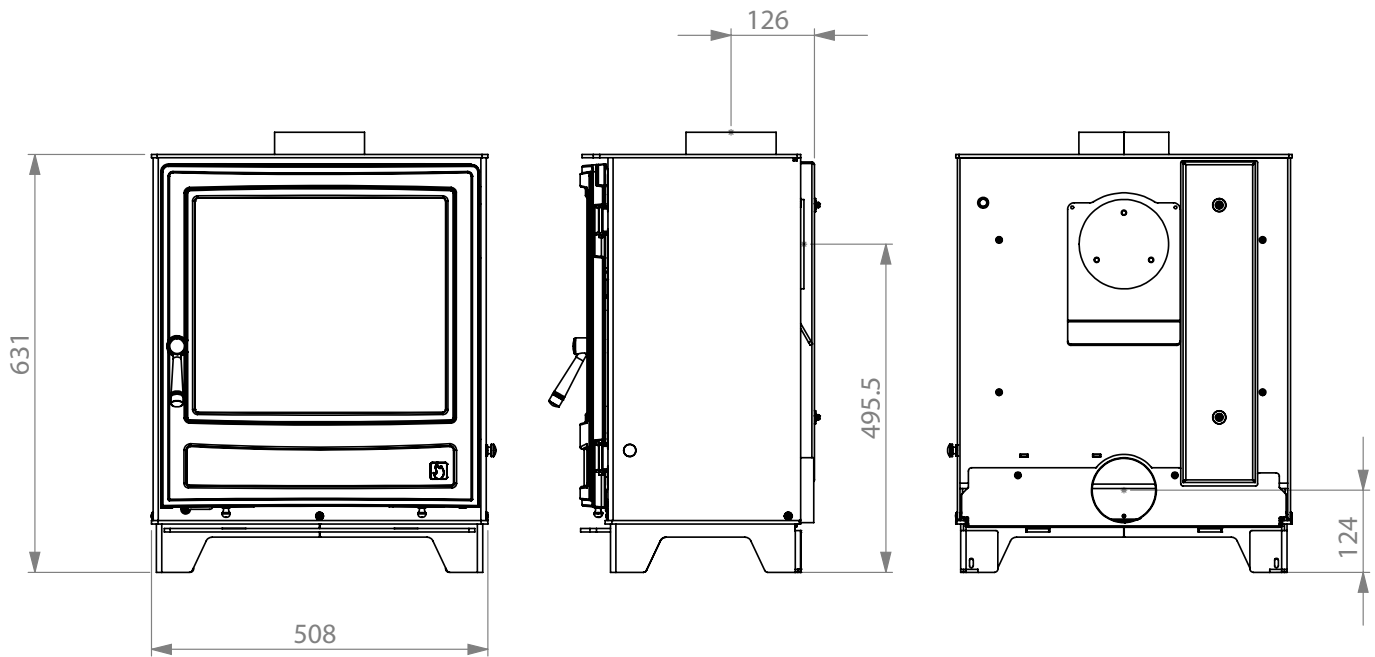


Stylish and robust fire door

*Optional Extras: Safety Handle / Rear heat shield / Direct air kit / Floor fixing kit*



# Ecoburn 7 (Series 3)



## Dimensions

Width (inc. riddle control)	518 mm
Height	631 mm
Depth	404 mm
Flue Diameter	127 mm
Depth from back to centre of top flue	134 mm
Height to centre of rear flue	496 mm
Ideal log length / diameter	375mm / 100mm

## Features

Stove body type	Freestanding
Ecodesign Ready	Yes
Suitable for smoke control areas	Yes
Suitable for direct air connection	Yes
Suitable for non-combustible 12mm hearth	Yes
Weight gross (packed kg)	92 Kg
Weight nett (unpacked kg)	87 Kg

## Performance

	Wood Fuel	Solid Fuel
Energy Efficiency Class	A	D
Nett Efficiency	79.8 %	81.2 %
Nominal Output	7.0 kW	7.1 kW
Output Range	5.1 - 7.7 kW	
Mean Co Emission (@13% O <sub>2</sub> )	0.09 %	0.11 %
DIN+ particulate	38 Nmg/m <sup>3</sup>	10 Nmg/m <sup>3</sup>
Mean NO <sub>x</sub> Emission (@13% O <sub>2</sub> )	102 Nmg/m <sup>3</sup>	116 Nmg/m <sup>3</sup>
Mean OGC Emission (@13% O <sub>2</sub> )	72 Nmg/m <sup>3</sup>	39 Nmg/m <sup>3</sup>
Flue Gas Mass Flow	5.6 g/s	5.6 g/s
Flue Gas Temperature	310 °C	271 °C
Typical Fuel load for nominal rated output per hour (kWh/Kg)	1.55 (Seasoned hardwood)	1.01 (MSF Maxibrite)

## Minimum distance to combustibles

	A	B	C
Rear	650 mm	350 mm	100 mm
Side	600 mm	600 mm	500 mm
Max hearth temp.	95 °C	91.9 °C	71.1 °C

A = Single Walled Flue, without Rear Heat Shield fitted  
 B = Single Walled Flue, with Rear Heat Shield fitted  
 C = Twin Walled Flue, with Rear Heat Shield fitted

## Direct air spigot location

(when viewing the rear side of the stove)

Horizontal position	Centre
Distance from floor to centre	124 mm

We recommend this appliance is installed with clearance of 100mm to non-combustible materials  
 Installation and operating instructions for this stove are available online at [www.aradastoves.com](http://www.aradastoves.com).

# Farringdon Small Eco



Farringdon Small Eco shown in Spice red with optional colour-matched log store

*The Farringdon range epitomises the finest of British design with innovative technology, exceptional heat control and a generously-proportioned viewing glass.*

*Farringdon stoves are Ecodesign Ready so they are cleaner burning and have fantastic fuel efficiency. This is a stylish option for heating any energy-conscious home.*

## Dimensions

Width	495 mm
Height	638 mm
Depth	362 mm
Ideal log length	360 mm

## Features

- Lifetime guarantee
- Better than Ecodesign standards when burning wood or solid fuel
- Multiple colour options
- Approved for use in Smoke Control Areas
- Stainless steel ash pan and throat plate
- Top or rear flue fitting
- Direct air compatible
- Preheated airwash system for clean glass
- Externally controlled riddling grate - from either side
- Rear heat shield for closer positioning to combustibles
- Height adjusting legs as standard
- Choice of standard detachable handle or optional detachable wooden handle



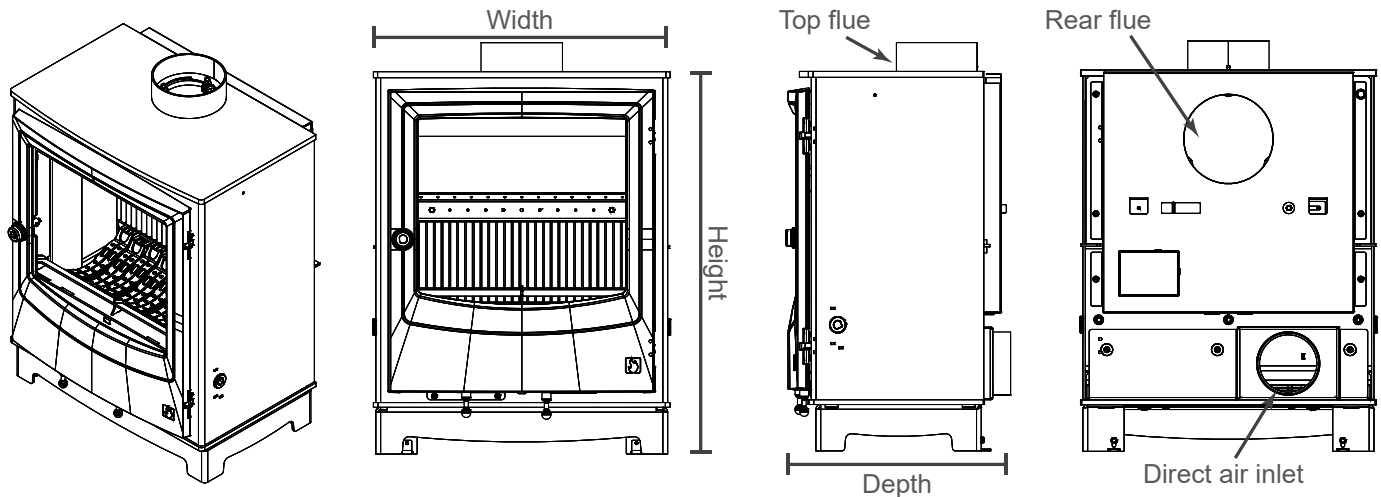
Farringdon Small Eco



Optional wooden handle

*Optional Extras: Wooden safety handle / Stand / Log store / Pedestal / Floor fixing kit*

# Farrington Small Eco



## Dimensions

Width (across canopy)	495 mm
Height (on standard fitted feet)	638 mm
Depth (including handle boss)	362 mm
Height of stand	130 mm
Height of pedestal	253 mm
Height of log store	310 mm
Total height on stand	768 mm
Total height on pedestal	891 mm
Total height on log store	948 mm
Flue diameter	127 mm
Depth from back to centre of top flue	108.5 mm
Height to centre of rear flue	522.5 mm
Ideal log length	360 mm

## Performance

	Wood Fuel	Solid Fuel
Energy Efficiency Class	A	D
Nett Efficiency	77.8 %	82.4 %
Nominal Output	5 kW	4.9 kW
Output Range	4 - 6.2 kW	
Mean Co Emission (@13% O2)	0.11 %	0.06 %
Mean CO2 Emission	9.5 %	11.6 %
<b>DIN+ particulate</b>	13 Nmg/m3	5 Nmg/m3
Mean NOx Emission (@13% O2)	79 Nmg/m3	79 Nmg/m3
Mean OGC Emission (@13% O2)	92 Nmg/m3	5 Nmg/m3
Flue Gas Mass Flow	5.1 g/s	3.5 g/s
Flue Gas Temperature	261 °C	272 °C
Typical fuel load to achieve rated nominal heat output/hr	1.11 kWh/kg (seasoned hardwood)	0.71 kWh/kg (MSF Maximabrite)

## Features

Stove body type	Freestanding
Ecodesign Ready	Yes
Suitable for smoke control areas	Yes
Suitable for direct air connection	Yes
Suitable for non-combustible 12mm hearth	Yes
Weight gross (packed kg)	107 Kg
Weight nett (unpacked kg)	102 Kg

## Minimum distance to combustibles

### Single Walled Flue, without Rear Heat Shield fitted

Rear	300 mm
Side	500 mm
Max hearth temp	43 °C

### Twin Walled Flue with Rear Heat Shield fitted

Rear	250 mm
Side	400 mm
Max hearth temp	43 °C

## Direct air spigot location

(when viewing the rear side of the stove)

Distance from right hand side to centre	143 mm
Distance from floor to centre	155 mm

We recommend this appliance is installed with clearance of 100mm to non-combustible materials  
Installation and operating instructions for this stove are available online at [www.aradastoves.com](http://www.aradastoves.com).



# Farringdon Medium Eco



Farringdon Small Eco shown in Mist grey

*The Farringdon range epitomises the finest of British design with innovative technology, exceptional heat control and a generously-proportioned viewing glass.*

*Farringdon stoves are Ecodesign Ready so they are cleaner burning and have fantastic fuel efficiency. This is a stylish option for heating any energy-conscious home.*

## Dimensions

Width	533 mm
Height	666 mm
Depth	362 mm
Ideal log length	430 mm



Farringdon Medium Eco



Optional wooden handle

## Features

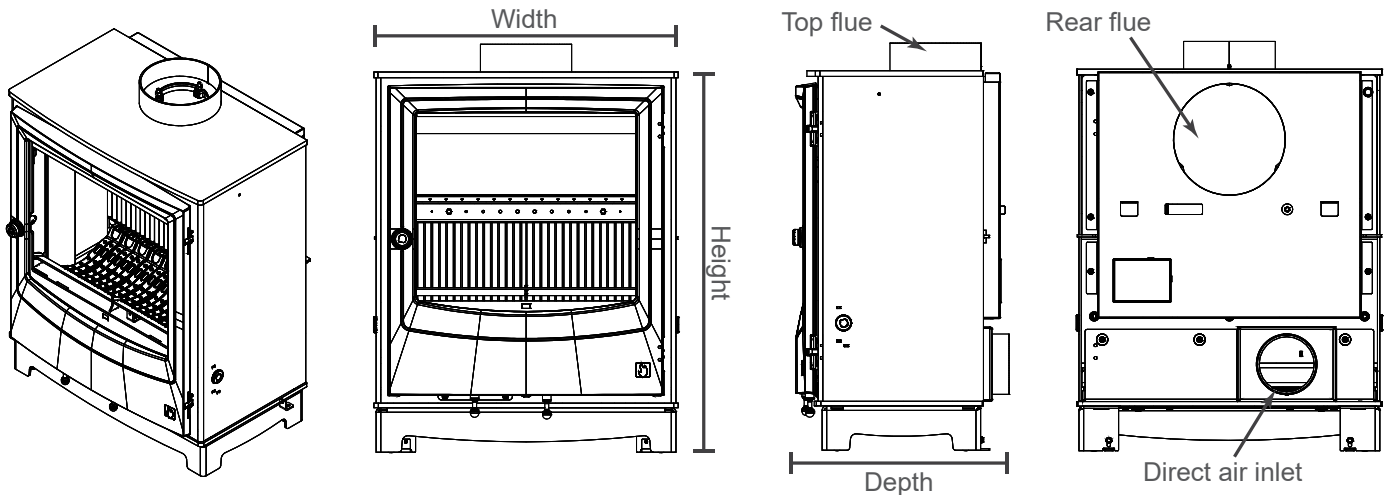
- Lifetime guarantee
- Better than Ecodesign standards when burning wood or solid fuel
- Multiple colour options
- Approved for use in Smoke Control Areas
- Stainless steel ash pan and throat plate
- Top or rear flue fitting\*
- Direct air compatible
- Preheated airwash system for clean glass
- Externally controlled riddling grate - from either side
- Rear heat shield for closer positioning to combustibles
- Height adjusting legs as standard
- Choice of standard detachable handle or optional detachable wooden handle

\*6 inch spigot supplied as standard.

5 inch spigot available free of charge on request

*Optional Extras: Wooden safety handle / Stand / Log store / Pedestal / Floor fixing kit*

# Farrington Medium Eco



## Dimensions

Width (across canopy)	533 mm
Height (on standard fitted feet)	666 mm
Depth (including handle boss)	362 mm
Height of stand	130 mm
Height of pedestal	273 mm
Height of log store	330 mm
Total height on stand	796 mm
Total height on pedestal	939 mm
Total height on log store	996 mm
Flue diameter	152 mm
Depth from back to centre of top flue	113.5 mm
Height to centre of rear flue	547.5 mm
Ideal log length	430 mm

## Performance

	Wood Fuel	Solid Fuel
Energy Efficiency Class	A	E
Nett Efficiency	76.1 %	79.8 %
Nominal Output	8.2 Kw	8.1 kW
Output Range	4.9 - 8.7 kW	
Mean Co Emission (@13% O <sub>2</sub> )	0.06 %	0.03 %
Mean CO <sub>2</sub> Emission	9.9 %	12.2 %
DIN+ particulate	27 Nmg/m <sup>3</sup>	7 Nmg/m <sup>3</sup>
Mean NO <sub>x</sub> Emission (@13% O <sub>2</sub> )	97 Nmg/m <sup>3</sup>	128 Nmg/m <sup>3</sup>
Mean OGC Emission (@13% O <sub>2</sub> )	40 Nmg/m <sup>3</sup>	3 Nmg/m <sup>3</sup>
Flue Gas Mass Flow	8 g/s	5.5 g/s
Flue Gas Temperature	293 °C	340 °C
Typical fuel load to achieve rated nominal heat output/hr	1.82 kWh/kg (seasoned hardwood)	1.16 kWh/kg (MSF Maxibrite)

## Features

Stove body type	Freestanding
Ecodesign Ready	Yes
Suitable for smoke control areas	Yes
Suitable for direct air connection	Yes
Suitable for non-combustible 12mm hearth	Yes
Weight gross (packed kg)	117 Kg
Weight nett (unpacked kg)	112 Kg

## Minimum distance to combustibles

### Single Walled Flue, without Rear Heat Shield fitted

Rear	500 mm
Side	550 mm
Max hearth temp	47 °C

### Twin Walled Flue with Rear Heat Shield fitted

Rear	430 mm
Side	580 mm
Max hearth temp	47 °C

## Direct air spigot location

(when viewing the rear side of the stove)

Distance from right hand side to centre	168 mm
Distance from floor to centre	151 mm

We recommend this appliance is installed with clearance of 100mm to non-combustible materials  
Installation and operating instructions for this stove are available online at [www.aradastoves.com](http://www.aradastoves.com).

# Farringdon Large Eco



Farringdon Small Eco shown in Chestnut on optional colour-matched stand

*The Farringdon range epitomises the finest of British design with innovative technology, exceptional heat control and a generously-proportioned viewing glass.*

*Farringdon stoves are Ecodesign Ready so they are cleaner burning and have fantastic fuel efficiency. This is a stylish option for heating any energy-conscious home.*

## Dimensions

Width	615 mm
Height	666 mm
Depth	435 mm
Ideal log length	500 mm

## Features

- Lifetime guarantee
- Better than Ecodesign standards when burning wood or solid fuel
- Available in seven colours
- Approved for use in Smoke Control Areas
- Stainless steel ash pan and throat plate
- Top or rear flue fitting\*
- Direct air compatible
- Preheated airwash system for clean glass
- Externally controlled riddling grate - from either side
- Rear heat shield for closer positioning to combustibles
- Height adjusting legs as standard
- Choice of standard detachable handle or optional detachable wooden handle

\*6 inch spigot supplied as standard.  
5 inch spigot available free of charge on request



Farringdon Large Eco

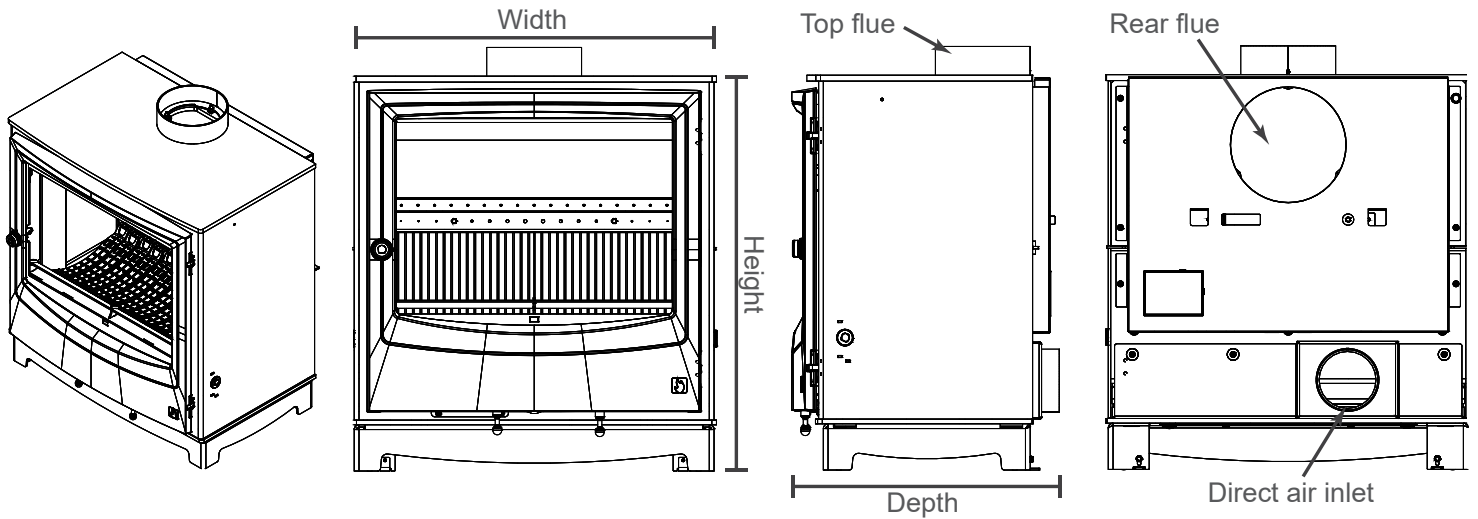


Optional wooden handle

*Optional Extras: Wooden safety handle / Stand / Log store / Pedestal / Floor fixing kit*



# Farringdon Large Eco



## Dimensions

Width (across canopy)	615 mm
Height (on standard fitted feet)	666 mm
Depth (including handle boss)	435 mm
Height of stand	130 mm
Height of pedestal	293 mm
Height of log store	330 mm
Total height on stand	796 mm
Total height on pedestal	959 mm
Total height on log store	996 mm
Flue diameter	152 mm
Depth from back to centre of top flue	113.5 mm
Height to centre of rear flue	547.5 mm
Ideal log length	500 mm

Performance	Wood Fuel	Solid Fuel
Energy Efficiency Class	A	E
Nett Efficiency	77 %	79.8 %
Nominal Output	10.6 Kw	12.1 kW
Output Range	7.6 - 11.4 kW	
Mean Co Emission (@13% O <sub>2</sub> )	0.08 %	0.04 %
Mean CO <sub>2</sub> Emission	12 %	13.7 %
DIN+ particulate	13 Nmg/m <sup>3</sup>	8 Nmg/m <sup>3</sup>
Mean NO <sub>x</sub> Emission (@13% O <sub>2</sub> )	75 Nmg/m <sup>3</sup>	66 Nmg/m <sup>3</sup>
Mean OGC Emission (@13% O <sub>2</sub> )	63 Nmg/m <sup>3</sup>	6 Nmg/m <sup>3</sup>
Flue Gas Mass Flow	8.5 g/s	7.2 g/s
Flue Gas Temperature	337 °C	377 °C
Typical fuel load to achieve rated nominal heat output/hr	1.74 kWh/kg (seasoned hardwood)	1.74 kWh/kg (MSF Maxibrite)

## Features

Stove body type	Freestanding
Ecodesign Ready	Yes
Suitable for smoke control areas	Yes
Suitable for direct air connection	Yes
Suitable for non-combustible 12mm hearth	Yes
Weight gross (packed kg)	144 Kg
Weight nett (unpacked kg)	138 Kg

## Minimum distance to combustibles

### Single Walled Flue, without Rear Heat Shield fitted

Rear	600 mm
Side	500 mm
Max hearth temp	64 °C

### Twin Walled Flue with Rear Heat Shield fitted

Rear	430 mm
Side	600 mm
Max hearth temp	64 °C

## Direct air spigot location

(when viewing the rear side of the stove)

Distance from right hand side to centre	208 mm
Distance from floor to centre	151 mm

We recommend this appliance is installed with clearance of 100mm to non-combustible materials  
Installation and operating instructions for this stove are available online at [www.aradastoves.com](http://www.aradastoves.com).

# Farringdon Catalyst Eco



Farringdon Catalyst Eco Eco shown in Slate grey

*The Farringdon range epitomises the finest of British design with innovative technology, exceptional heat control and a generously-proportioned viewing glass.*

*Farringdon stoves are Ecodesign Ready so they are cleaner burning and have fantastic fuel efficiency. This is a stylish option for heating any energy-conscious home.*

## Dimensions

Width	615 mm
Height	696 mm
Depth	510 mm
Ideal log length	500 mm

## Features

- Lifetime guarantee
- Better than Ecodesign standards for burning wood
- Available in seven colours
- Approved for use in Smoke Control Areas
- Stainless steel ash pan and throat plate
- 6 inch top flue
- Direct air compatible
- Preheated airwash system for clean glass
- Externally controlled riddling grate
- Rear heat shield for closer positioning to combustibles
- Height adjusting legs as standard
- Wooden handle supplied as standard



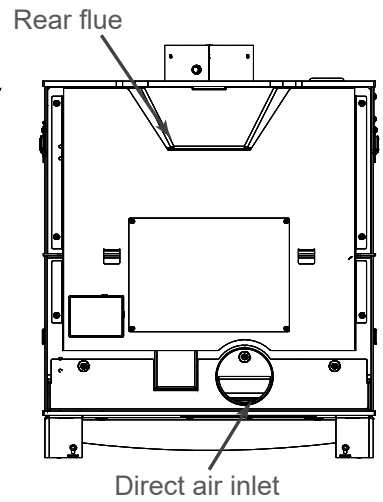
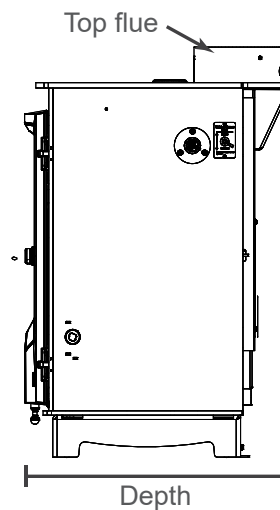
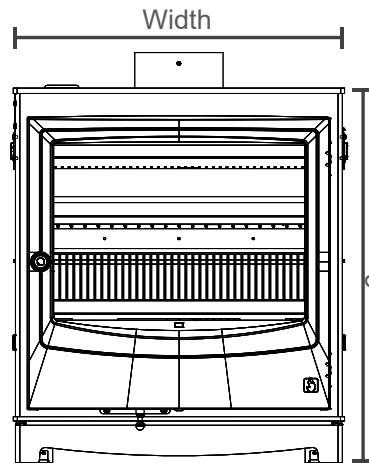
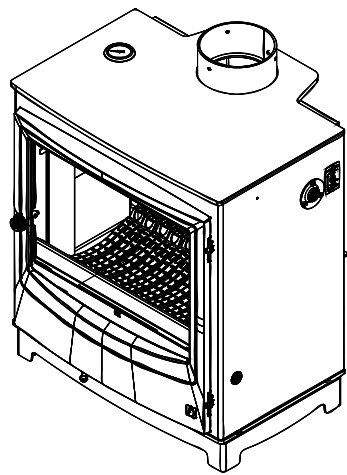
Farringdon Catalyst Eco



Wooden handle

*Optional Extras: Stand / Log store / Pedestal / Floor fixing kit / Stainless steel handle*

# Farringdon Catalyst Eco



## Dimensions

Width (across canopy)	615 mm
Height (on standard fitted feet)	696 mm
Depth (including handle boss)	510 mm
Height of stand	130 mm
Height of pedestal	293 mm
Height of log store	330 mm
Total height on stand	826 mm
Total height on pedestal	989 mm
Total height on log store	1026 mm
Flue diameter	152 mm
Depth from back to centre of top flue	114 mm
Ideal log length	500 mm

## Performance

	Wood Fuel
Energy Efficiency Class	A+
Nett Efficiency	82.4 %
Nominal Output	11.4 Kw
Output Range	10.9 - 11.8 kW
Mean Co Emission (@13% O2)	0.07 %
Mean CO2 Emission	12.73 %
DIN+ particulate	24 Nmg/m3
Mean NOx Emission (@13% O2)	92 Nmg/m3
Mean OGC Emission (@13% O2)	111 Nmg/m3
Flue Gas Mass Flow	7.5 g/s
Flue Gas Temperature	300 °C

## Features

Stove body type	Freestanding
Ecodesign Ready	Yes
Suitable for smoke control areas	Yes
Suitable for direct air connection	Yes
Suitable for non-combustible 12mm hearth	Yes
Weight gross (packed kg)	144 Kg
Weight nett (unpacked kg)	138 Kg

## Minimum distance to combustibles

	Single Walled Flue
Rear	400 mm
Side	450 mm
Max hearth temp	42.5 °C

## Direct air spigot location

(when viewing the rear side of the stove)

Distance from right hand side to centre	208 mm
Distance from floor to centre	151 mm

We recommend this appliance is installed with clearance of 100mm to non-combustible materials  
Installation and operating instructions for this stove are available online at [www.aradastoves.com](http://www.aradastoves.com).





Holborn 5

*Inspired by traditional stove design, the Holborn wears its influences with pride. Its protruding ash lip and flared feet grace the stove with the hallmarks of traditional stove design.*

*Internally this stove was designed to meet today's demands for low emissions and greater fuel efficiency, this 4.9 kW output model is an extremely efficient Ecodesign Ready stove at heart.*

## Features

- Surpasses Ecodesign standards for burning wood log fuel
- Approved for use in Smoke Control Areas
- Direct air compatible
- Lifetime guarantee
- Stainless steel ash pan and throat plate
- Top or rear 127mm flue outlet
- Non-smoker paint, available in seven colours
- Externally controlled riddling grate
- Optional rear heat shield for siting stove closer to non-combustible material
- Height adjusting feet as standard

## Dimensions

Width	485 mm
Height	650 mm
Depth	388 mm
Ideal log length	300 mm



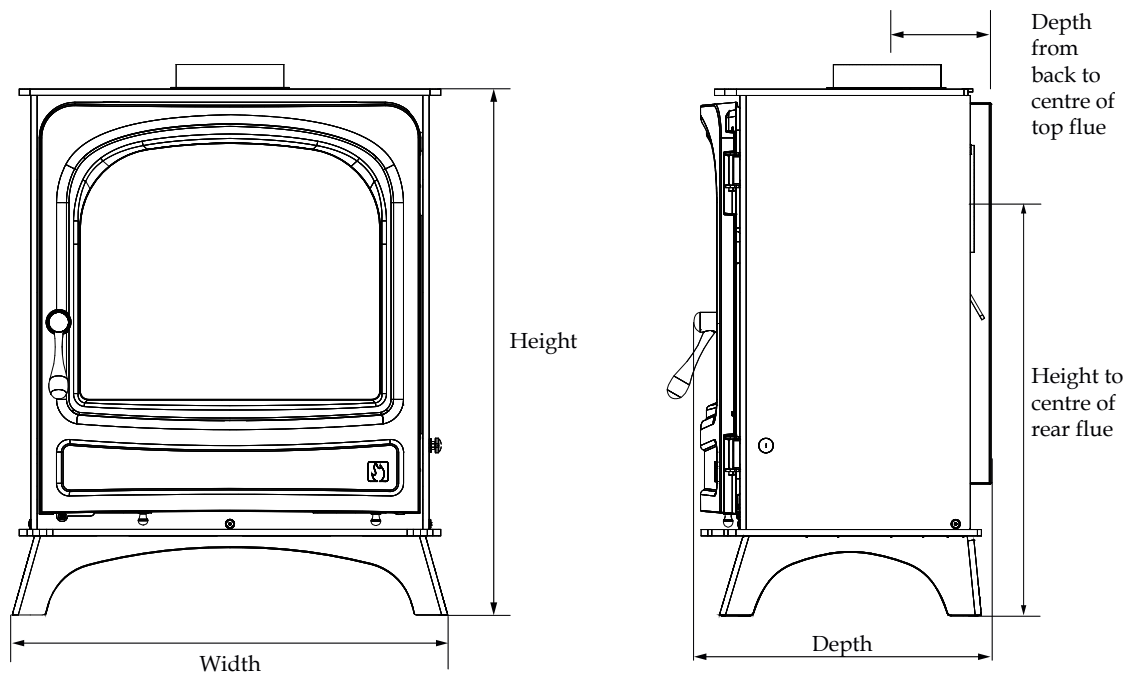
Holborn 5



Alternative colour options available

*Optional Extras: Multi fuel kit / Rear heat shield / Direct air adaptor*

# Holborn 5



## Dimensions

Width	485 mm
Height	650 mm
Depth	388 mm
Flue Diameter	127 mm
Depth from back to centre of top flue	134 mm
Height to centre of rear flue	512 mm
Ideal log length / diameter	300mm / 100mm

## Features

Stove body type	Freestanding
Ecodesign Ready	Yes
Suitable for smoke control areas	Yes
Suitable for direct air connection	Yes
Suitable for non-combustible 12mm hearth	Yes
Weight gross (packed kg)	81.5 Kg
Weight nett (unpacked kg)	76.5 Kg

## Performance

	Wood Fuel	Solid Fuel
Energy Efficiency Class	A	D
Nett Efficiency	79.8 %	82.3 %
Nominal Output	4.9 kW	4.9 kW
Output Range	4.2 - 5.5 kW	
Mean Co Emission (@13% O <sub>2</sub> )	0.11 %	0.1 %
DIN+ particulate	27 Nmg/m <sup>3</sup>	10 Nmg/m <sup>3</sup>
Mean NO <sub>x</sub> Emission (@13% O <sub>2</sub> )	95 Nmg/m <sup>3</sup>	94 Nmg/m <sup>3</sup>
Mean OGC Emission (@13% O <sub>2</sub> )	86 Nmg/m <sup>3</sup>	26 Nmg/m <sup>3</sup>
Flue Gas Mass Flow	4.7 g/s	3.5 g/s
Flue Gas Temperature	255 °C	254 °C
Typical Fuel load for nominal rated output per hour (kWh/Kg)	1.17 (Seasoned hardwood)	0.69 (MSF Maxibrite)

Note: Solid fuel figures achieved with optional solid fuel kit installed

## Direct air spigot location

(when viewing the rear side of the stove)

Distance from right hand side to centre	219 mm
Distance from floor to centre	106 mm

## Minimum distance to combustibles

	A	B	C
Rear	700 mm	350 mm	75 mm
Side	550 mm	525 mm	500 mm
Max hearth temp.	51 °C	52 °C	51 °C

A = Single Walled Flue, without Rear Heat Shield fitted

B = Single Walled Flue, with Rear Heat Shield fitted

C = Twin Walled Flue, with Rear Heat Shield fitted

We recommend this appliance is installed with clearance of 100mm to non-combustible materials  
Installation and operating instructions for this stove are available online at [www.aradastoves.com](http://www.aradastoves.com).

# Holborn 5 Widescreen



Holborn 5 shown

*Inspired by traditional stove design, the Holborn wears its influences with pride. Its protruding ash lip and flared feet grace the stove with the hallmarks of traditional stove design.*

*Whilst bearing classical design elements outside, internally no sacrifices have been made to meet today's demands for low emissions and greater fuel efficiency, this 4.9 kW output model is an extremely efficient Ecodesign Ready stove at heart.*

## Features

- Surpasses Ecodesign standards for burning wood log fuel
- Approved for use in Smoke Control Areas
- Direct air compatible
- Lifetime guarantee
- Stainless steel ash pan and throat plate
- Top or rear 127mm flue outlet
- Non-smoker paint, available in seven colours
- Externally controlled riddling grate
- Optional rear heat shield for siting stove closer to non-combustible material
- Height adjusting feet as standard

## Dimensions

Width	550 mm
Height	665 mm
Depth	388 mm
Ideal log length	375 mm



Holborn 5 Widescreen

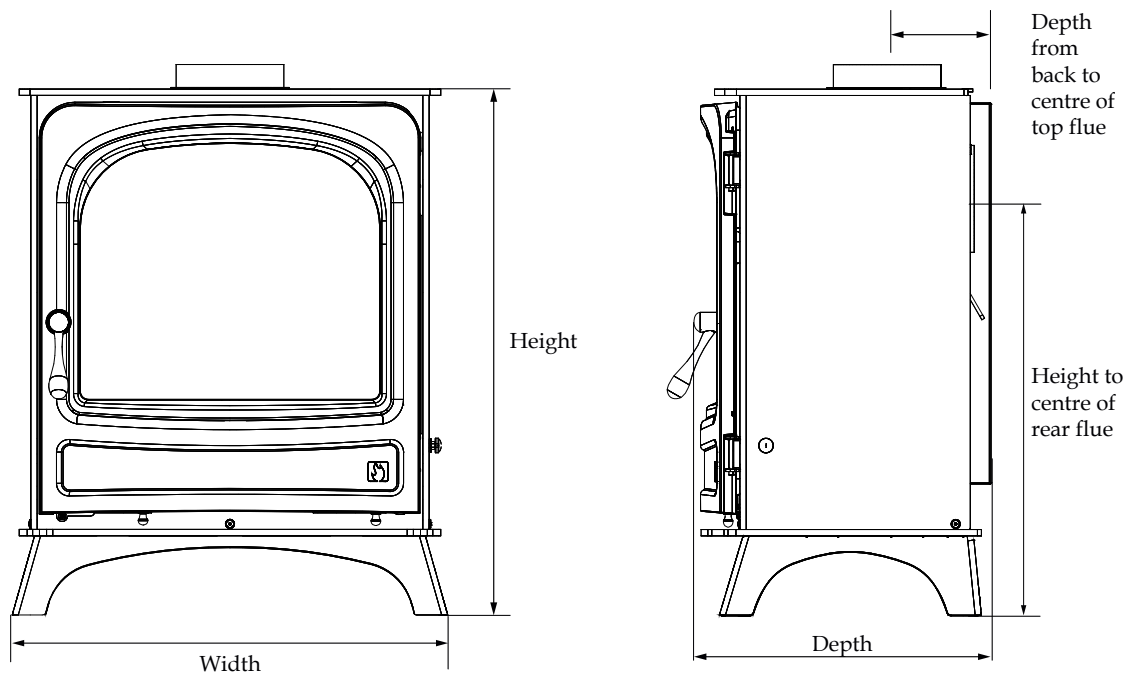


Alternative colour options available

*Optional Extras: Multi fuel kit / Rear heat shield / Direct air adaptor*



# Holborn 5 Widescreen



## Dimensions

Width	550 mm
Height	665 mm
Depth	388 mm
Flue Diameter	127 mm
Depth from back to centre of top flue	134 mm
Height to centre of rear flue	526 mm
Ideal log length / diameter	375mm / 100mm

## Features

Stove body type	Freestanding
Ecodesign Ready	Yes
Suitable for smoke control areas	Yes
Suitable for direct air connection	Yes
Suitable for non-combustible 12mm hearth	Yes
Weight gross (packed kg)	93 Kg
Weight nett (unpacked kg)	88 Kg

## Performance

	Wood Fuel	Solid Fuel
Energy Efficiency Class	A	D
Nett Efficiency	81.3 %	79.3 %
Nominal Output	4.9 kW	4.9 kW
Output Range	3.9 - 5.9 kW	
Mean Co Emission (@13% O <sub>2</sub> )	0.1 %	0.09 %
DIN+ particulate	22 Nmg/m <sup>3</sup>	9 Nmg/m <sup>3</sup>
Mean NO <sub>x</sub> Emission (@13% O <sub>2</sub> )	82 Nmg/m <sup>3</sup>	102 Nmg/m <sup>3</sup>
Mean OGC Emission (@13% O <sub>2</sub> )	68 Nmg/m <sup>3</sup>	19 Nmg/m <sup>3</sup>
Flue Gas Mass Flow	4.1 g/s	4.2 g/s
Flue Gas Temperature	257 °C	281 °C
Typical Fuel load for nominal rated output per hour (kWh/Kg)	1.15 (Seasoned hardwood)	0.73 (MSF Maxibrite)

Note: Solid fuel figures achieved with optional solid fuel kit installed

## Direct air spigot location

(when viewing the rear side of the stove)

Lateral position	Centre
Distance from floor to centre	123.5 mm

## Minimum distance to combustibles

	A	B	C
Rear	650 mm	300 mm	50 mm
Side	450 mm	450 mm	250 mm
Max hearth temp.	86.2 °C	43.4 °C	51.1 °C

A = Single Walled Flue, without Rear Heat Shield fitted

B = Single Walled Flue, with Rear Heat Shield fitted

C = Twin Walled Flue, with Rear Heat Shield fitted

We recommend this appliance is installed with clearance of 100mm to non-combustible materials  
Installation and operating instructions for this stove are available online at [www.aradastoves.com](http://www.aradastoves.com).

# Holborn 7



Holborn 5 shown

*Inspired by traditional stove design, the Holborn wears its influences with pride. Its protruding ash lip and flared feet grace the stove with the hallmarks of traditional stove design.*

*Whilst bearing classical design elements outside, internally no sacrifices have been made to meet today's demands for low emissions and greater fuel efficiency, this 7 kW model is an extremely efficient Ecodesign Ready stove at heart.*

## Features

- Surpasses Ecodesign standards for burning wood log fuel
- Approved for use in Smoke Control Areas
- Direct air compatible
- Lifetime guarantee
- Stainless steel ash pan and throat plate
- Top or rear 127mm flue outlet
- Non-smoker paint, available in multiple colours
- Externally controlled riddling grate
- Optional rear heat shield for siting stove closer to non-combustible material
- Height adjusting feet as standard

## Dimensions

Width	550 mm
Height	665 mm
Depth	388 mm
Ideal log length	375 mm



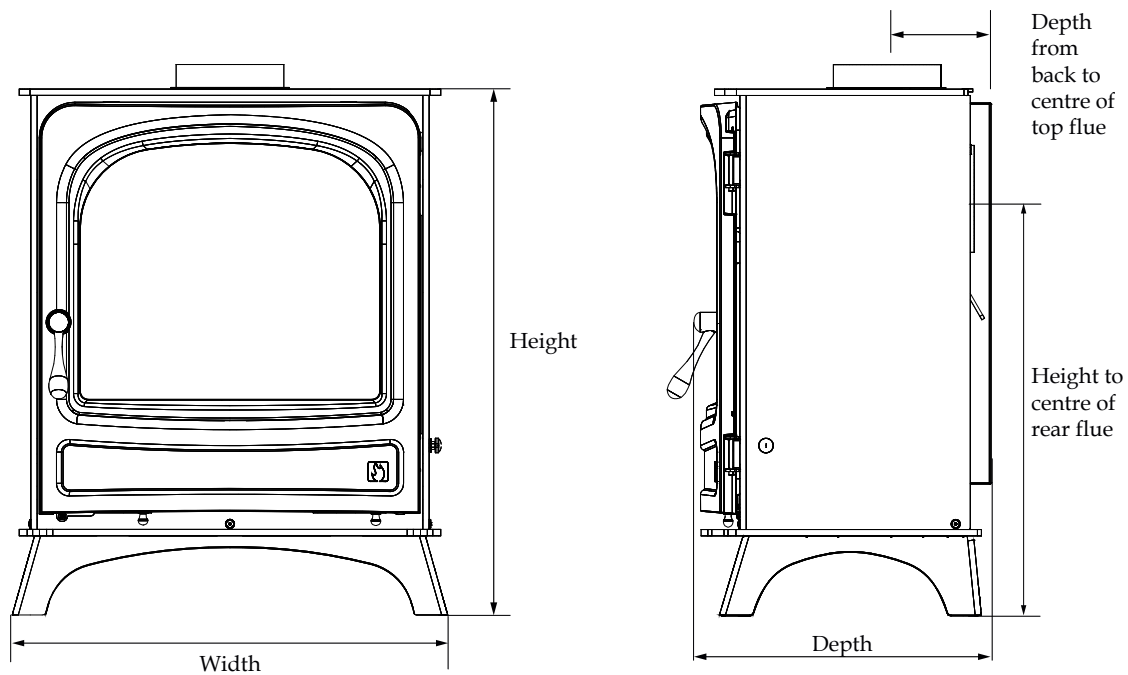
Holborn 7



Stylish and easy to use

*Optional Extras: Multi fuel kit / Rear heat shield / Direct air adaptor*

# Holborn 7



## Dimensions

Width	550 mm
Height	665 mm
Depth	388 mm
Flue Diameter	127 mm
Depth from back to centre of top flue	134 mm
Height to centre of rear flue	526 mm
Ideal log length / diameter	375mm / 100mm

## Features

Stove body type	Freestanding
Ecodesign Ready	Yes
Suitable for smoke control areas	Yes
Suitable for direct air connection	Yes
Suitable for non-combustible 12mm hearth	Yes
Weight gross (packed kg)	92 Kg
Weight nett (unpacked kg)	87 Kg

## Performance

	Wood Fuel	Solid Fuel
Energy Efficiency Class	A	D
Nett Efficiency	78.2 %	81.2 %
Nominal Output	7 kW	7.1 kW
Output Range	5.1 - 7.7 kW	
Mean Co Emission (@13% O <sub>2</sub> )	0.09 %	0.11 %
DIN+ particulate	38 Nmg/m <sup>3</sup>	10 Nmg/m <sup>3</sup>
Mean NO <sub>x</sub> Emission (@13% O <sub>2</sub> )	102 Nmg/m <sup>3</sup>	116 Nmg/m <sup>3</sup>
Mean OGC Emission (@13% O <sub>2</sub> )	72 Nmg/m <sup>3</sup>	39 Nmg/m <sup>3</sup>
Flue Gas Mass Flow	5.6 g/s	5.6 g/s
Flue Gas Temperature	310 °C	271 °C
Typical Fuel load for nominal rated output per hour (kWh/Kg)	1.55 (Seasoned hardwood)	1.01 (MSF Maxibrite)

Note: Solid fuel figures achieved with optional solid fuel kit installed

## Direct air spigot location

(when viewing the rear side of the stove)

Lateral position	Centre
Distance from floor to centre	123.5 mm

## Minimum distance to combustibles

	A	B	C
Rear	650 mm	350 mm	100 mm
Side	600 mm	600 mm	500 mm
Max hearth temp.	95 °C	91.9 °C	71.1 °C

A = Single Walled Flue, without Rear Heat Shield fitted

B = Single Walled Flue, with Rear Heat Shield fitted

C = Twin Walled Flue, with Rear Heat Shield fitted

We recommend this appliance is installed with clearance of 100mm to non-combustible materials  
Installation and operating instructions for this stove are available online at [www.aradastoves.com](http://www.aradastoves.com).

# DIVE INTO A WHOLE NEW WORLD OF COLOUR

A UNIQUE NEW LOOK FOR STOVES. THE BOLD  
EDIT IS A PALETTE OF FOUR EXCITING NEW  
SHADES THAT ARE EXCLUSIVE TO ARADA



## THE **BOLD** EDIT



FLAMINGO



MIAMI



RAINCOAT



PEAPOD

# ARADA

— DEVON —

Check model details online for availability of The BOLD Edit colourways



## *Also available in Black*

Our stoves available in black as standard, why not explore our other colour options?

### **Non-smoker paint**

There's no curing time with any of our paints and no unpleasant curing odour either.

### **Robust and easy to keep clean**

Our paints are resistant to very high temperatures and they're easy to keep clean.



### **SLATE**

If you're looking for a wood burner that's timeless, but with a softer aesthetic, then a grey wood burner is the perfect stove for you. Opt for grey limestone slabs for your hearth to perfectly complement the stove.

### **MIST**

A timeless shade with a touch of contemporary style, a stove in this shade is the perfect pairing for grey and neutral décor schemes.



### **SPICE**

An eye-catching statement, choose the fiery finish of Spice to add a touch of seasonal charm reminiscent of the colours of winter leaves to your space.

### **CHESTNUT**

With its warm bronzed finish made up of greens and browns, a stove in Chestnut is a nod to nature and is right at home with the rustic shades of firewood.

### **SANDCASTLE**

This soft-off white shade, an ideal colourway for a calm, neutral room scheme. The subtle, warm undertones of this shade invite you to relax and curl up in front of the fire.

### **ATLANTIC**

This sophisticated blue shade is eye-catching. Paired with crisp white walls, complementary shades of pastel pink or warm terracotta for an interior space that is as cosy as it is stylish.