

ARADA
— DEVON —



Simply Gas

Putting warmth at the heart of the home

ARADA

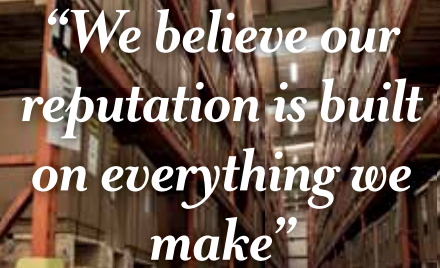
DEVON

From the tiny acorn of a small engineering firm founded in 1966 the core ideals of designing and manufacturing affordable, robust and pleasurable products for the British homeowner are still at the heart of Arada.



“We’ve been warming homes and hearts for decades”

Transformed into a mighty oak at our 54,000 sq.ft manufacturing base in Axminster, we design, manufacture and globally distribute not just wood and multifuel stoves, but also electric fires, gas stoves and outdoor heating appliances.



“We believe our reputation is built on everything we make”



An Arada stove is so much more than just a black steel box, each one starts life in the hands of our craftsmen. Raw steel is crafted with precision. Exacting joins are welded at 1500°C. Sparks fly as surfaces are perfected.

Our stoves bear the hallmarks of being designed, engineered and built in Britain by people who take pride in a job well done and that believe that ownership of an Arada stove should be a pleasure.



“The Arada badge is your ‘built-to last’ guarantee.”

Our stoves come with either lifetime or extra-long life stove body guarantees. We won't ask you to register first either, our guarantees come as standard*.

10
YEAR
GUARANTEE

LIFETIME
GUARANTEE

*Stove must have been purchased from an authorised retailer and installed following regulations governing the fitting of wood burning and solid fuel appliances in the country of installation.



Modern & Traditional Stove Styles

Our collection of stoves are designed to suit the look and style of different homes, whether it's to upgrade a classic fireplace or as a statement in a contemporary open-plan living space.

Accessories

We also design and manufacture extras such as log stores, stands, pedestals, handles and more that let you create the perfect focal point for your room and nail the practicalities of owning a stove.



Outdoor Living

We're not just about stoves! We've brought our heating design and expertise to the great outdoors with a range of attractive garden fire pits, chimeneas, and more.

Ecoburn Gas Medium (Series 3)



Ecoburn Gas Medium Series 3 shown with conventional flue

The Ecoburn Gas stove features the same classic visual features as our Ecoburn multi fuel stoves. This log-effect gas fire is available in LPG or natural gas-compatible versions and with either a conventional or balanced flue, so you need not have a standard brick chimney or built-in flue.

Features

- Natural Gas or LPG models available
- Conventional or balanced Flue models available
- Remote control included as standard

Dimensions

	Conventional Flue	Balanced Flue
Width	456 mm	456 mm
Height	609 mm	633 mm
Depth	399 mm	445 mm

Output

	Conventional Flue			Balanced Flue	
	Natural Gas	LPG (Propane)	LPG (Butane)	Natural Gas	LPG (Propane/Butane)
Useful Energy Efficiency	86 %	83 %	83 %	83 %	82.5 %
Energy Efficiency	B	D	C	C	C
Direct Heat Output	4.4 kW	3.5kW	3.7 kW	4.5 kW	Up to 4.5kW

One of the greatest reasons for choosing a gas stove is their convenience. Settling in for the evening with the Ecoburn Gas stove and its easy-to-use remote control - included as standard - means you can adjust the heat output and flame picture without leaving your comfy sofa!

- Adjustable heat output and flame height
- Available in seven colours
- Clear view glass screen
- Lifetime guarantee on the stove body



Ecoburn Gas Medium

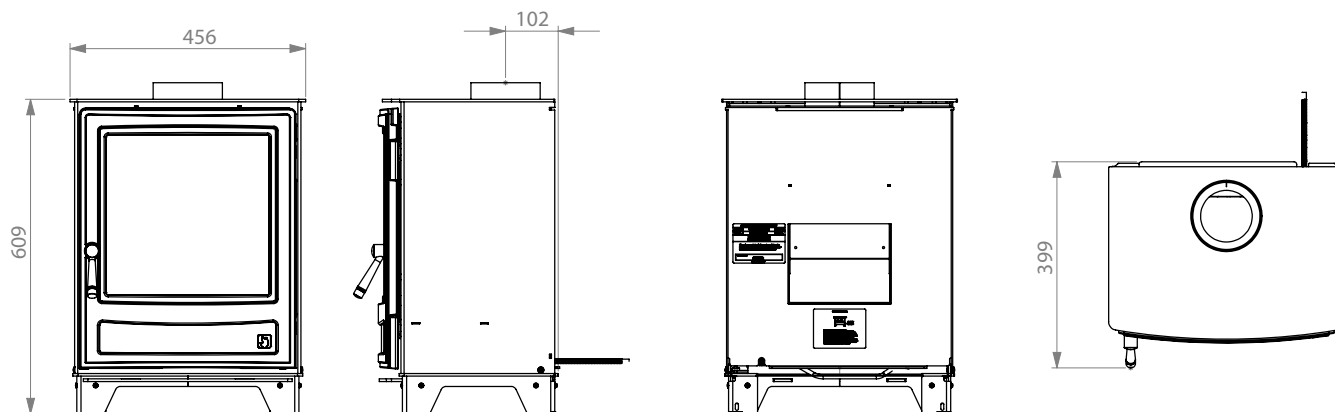


Easy to use remote control

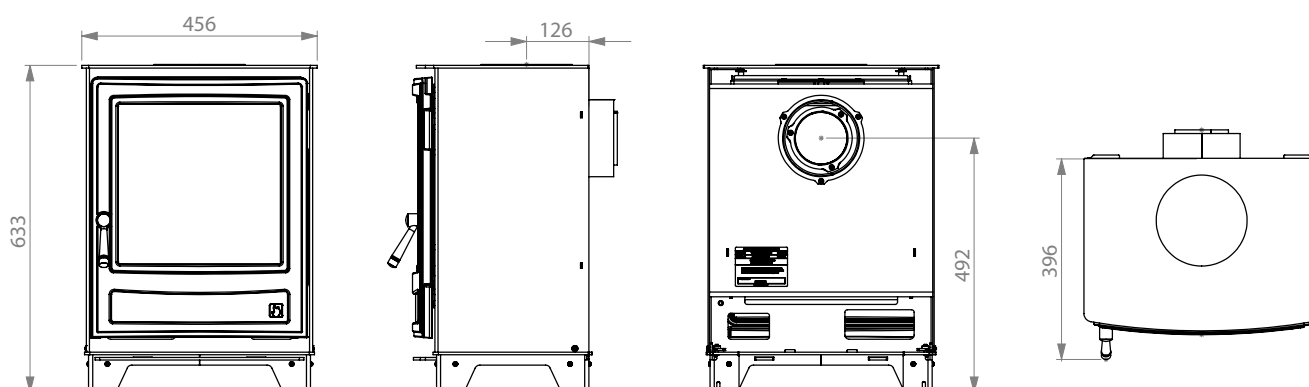


Ecoburn Gas Medium (Series 3)

ECOBURN GAS MEDIUM - CONVENTIONAL FLUE



ECOBURN GAS MEDIUM - BALANCED FLUE



Features

Remote thermostatic control	Yes
Remote timer control	Yes
Flame supervision safety	Oxygen depletion system
Ecodesign Ready	Yes
Suitable for non-combustible 12mm hearth	Yes

Flue

Approved Conventional Flue Class Type

B11 (Class1, 2 and pre-cast)

Approved Balanced Flue Class Types

C11 roof terminals, C31 wall terminal
C91 wall terminal snorkel type

Flue Diameters

Conventional Flue - Top only: 5inch

Balanced Flue - Top & Rear: 4inch internal / 6inch external

Gas performance

Gas Type	Conventional Flue			Balanced Flue	
	G20 (natural Gas)	G31 (propane)	G30 (butane)	G20/G25/G25.3 NG (Avg.)	G30 / G31 LPG (Avg.)
Supply Pressure (measured at test elbow) [mbar]	20	37	29	20 / 25	30 - 50
Nominal Heat Input Gross (Hs) [kW]	5	4.4	4.5	4 - 5	5 / 5.5
Min Heat Input Gross (Hi) [kW]	2.3	1.8	2.7	3.6 - 4.5	4.6 / 5.1
Gas Consumption At Max Rate [M3/hr]	0.47	0.157	0.121	0.58	0.196
Gas Consumption At Min Rate [M3/hr]	0.22	0.061	0.074	0.47	0.164
Nox [mg/KWh]	95	97	98	76	81
Efficiency Class	1				
Gas Connection	8mm compression				
Remote Gas Valve	TESC01 RF868-15				

We recommend this appliance is installed with clearance of 100mm to non-combustible materials
Installation and operating instructions for this stove are available online at www.aradastoves.com.

Holborn Gas Medium



Holborn Gas Medium shown with conventional flue

The Holborn Gas stove features the same classic visual features as our Holborn multi fuel stoves. This log-effect gas fire is available in LPG or natural gas-compatible versions and with either a conventional or balanced flue, so you need not have a standard brick chimney or built-in flue.

Features

- Natural Gas or LPG models available
- Conventional or balanced Flue models available
- Remote control included as standard
- Adjustable heat output and flame height
- Available in seven colours
- Clear view glass screen
- Lifetime guarantee on the stove body

Dimensions

	Conventional Flue	Balanced Flue
Width	472 mm	472 mm
Height	637 mm	661 mm
Depth	402 mm	447 mm

Output

	Conventional Flue			Balanced Flue	
	Natural Gas	LPG (Propane)	LPG (Butane)	Natural Gas	LPG (Propane/Butane)
Useful Energy Efficiency	86 %	83 %	83 %	83 %	82.5 %
Energy Efficiency	B	D	C	C	C
Direct Heat Output	4.4 kW	3.5kW	3.7 kW	4.5 kW	Up to 4.5kW

One of the greatest reasons for choosing a gas stove is their convenience. Settling in for the evening with the Holborn Gas stove and its easy-to-use remote control - included as standard - means you can adjust the heat output and flame picture without leaving your comfy sofa!



Available in seven colours (Sandcastle Cream shown)

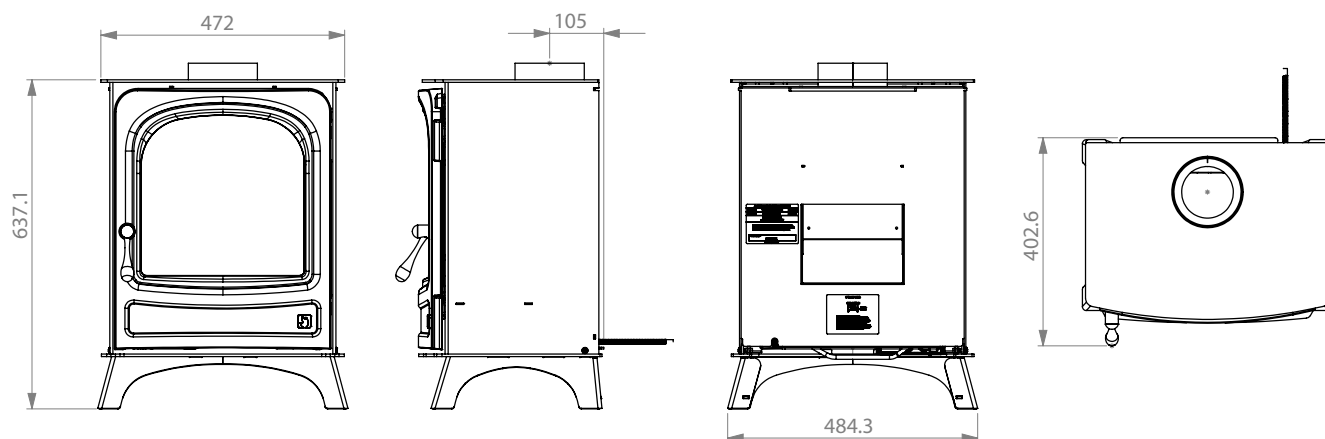


Easy to use remote control

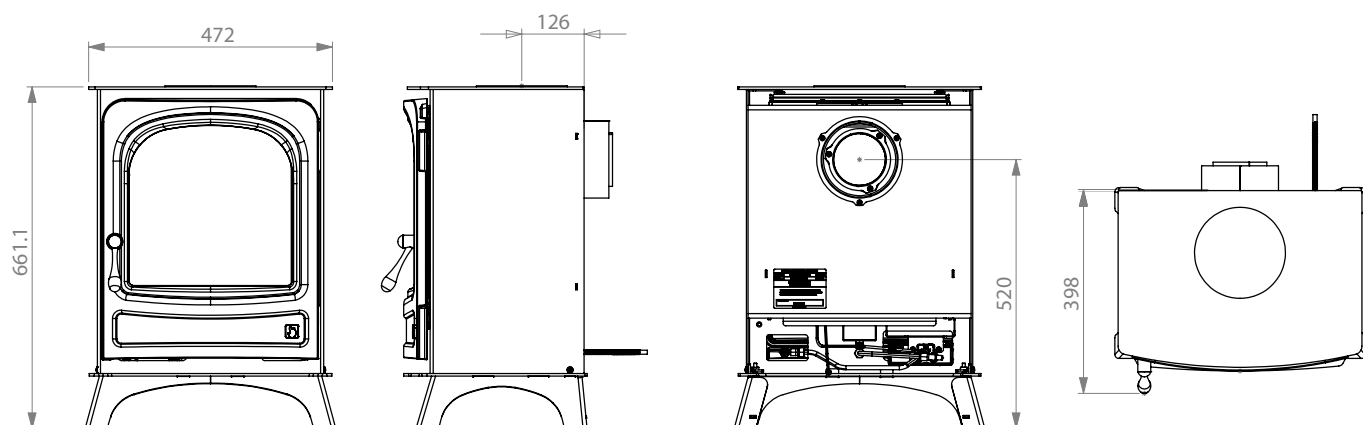


Holborn Gas Medium

HOLBORN GAS MEDIUM - CONVENTIONAL FLUE



HOLBORN GAS MEDIUM - BALANCED FLUE



Features

Remote thermostatic control	Yes
Remote timer control	Yes
Flame supervision safety	Oxygen depletion system
Ecodesign Ready	Yes
Suitable for non-combustible 12mm hearth	Yes

Flue

Approved Conventional Flue Class Type

B11 (Class1, 2 and pre-cast)

Approved Balanced Flue Class Types

C11 roof terminals, C31 wall terminal
C91 wall terminal snorkel type

Flue Diameters

Conventional Flue - Top only: 5inch

Balanced Flue - Top & Rear: 4inch internal / 6inch external

Gas performance

Gas Type	Conventional Flue			Balanced Flue	
	G20 (natural Gas)	G31 (propane)	G30 (butane)	G20/G25/G25.3 NG (Avg.)	G30 / G31 LPG (Avg.)
Supply Pressure (measured at test elbow) [mbar]	20	37	29	20 / 25	30 - 50
Nominal Heat Input Gross (Hs) [kW]	5	4.4	4.5	4 - 5	5 / 5.5
Min Heat Input Gross (Hi) [kW]	2.3	1.8	2.7	3.6 - 4.5	4.6 / 5.1
Gas Consumption At Max Rate [M3/hr]	0.47	0.157	0.121	0.58	0.196
Gas Consumption At Min Rate [M3/hr]	0.22	0.061	0.074	0.47	0.164
Nox [mg/KWh]	95	97	98	76	81
Efficiency Class	1				
Gas Connection	8mm compression				
Remote Gas Valve	TESC01 RF868-15				

We recommend this appliance is installed with clearance of 100mm to non-combustible materials
Installation and operating instructions for this stove are available online at www.aradastoves.com.

DIVE INTO A WHOLE NEW WORLD OF COLOUR

A UNIQUE NEW LOOK FOR STOVES. THE BOLD
EDIT IS A PALETTE OF FOUR EXCITING NEW
SHADES THAT ARE EXCLUSIVE TO ARADA



THE BOLD EDIT



FLAMINGO



MIAMI



RAINCOAT



PEAPOD

ARADA

— DEVON —

Check model details online for availability of The BOLD Edit colourways

Also available in Black

Our stoves available in black as standard, why not explore our other colour options?

Non-smoker paint

There's no curing time with any of our paints and no unpleasant curing odour either.

Robust and easy to keep clean

Our paints are resistant to very high temperatures and they're easy to keep clean.



SLATE

If you're looking for a wood burner that's timeless, but with a softer aesthetic, then a grey wood burner is the perfect stove for you. Opt for grey limestone slabs for your hearth to perfectly complement the stove.

MIST

A timeless shade with a touch of contemporary style, a stove in this shade is the perfect pairing for grey and neutral décor schemes.



SPICE

An eye-catching statement, choose the fiery finish of Spice to add a touch of seasonal charm reminiscent of the colours of winter leaves to your space.

CHESTNUT

With its warm bronzed finish made up of greens and browns, a stove in Chestnut is a nod to nature and is right at home with the rustic shades of firewood.

SANDCASTLE

This soft-off white shade, an ideal colourway for a calm, neutral room scheme. The subtle, warm undertones of this shade invite you to relax and curl up in front of the fire.

ATLANTIC

This sophisticated blue shade is eye-catching. Paired with crisp white walls, complementary shades of pastel pink or warm terracotta for an interior space that is as cosy as it is stylish.