



SHOWROOM  
EXCLUSIVE

onyx  
Orbit Electric

# Defying gravity

Designed for an out-of-this-world fireside experience, Onyx Orbit electric fires defy the norm with a floating presence and ultra-contemporary styling - with, or without the heat.

Granting an expansive view of an exposed flame effect and lifelike oak logs, the Orbit's pendant aesthetic provides a dramatic suspended centrepiece, particularly suited to open living spaces and also making a statement in homes with vaulted ceilings.

But what's more, once installed, the Orbit can be rotated up to 340°, allowing you and your guests to enjoy its mesmerising flame picture from almost anywhere in a room.

The Orbit boasts a host of impressive Chromalight® visual effects, including three flame colours and a range of fuel bed lighting options to suit your ambience. The realistic oak log-effect is bathed in complementary downlighting, whilst moodlighting that skirts around the interior of the fire tailors your experience further, enhancing your mood with a choice of 13 colours, plus a spectrum mode that cycles through them all.



**View the Video**  
[onyxfires.com/orbit](https://onyxfires.com/orbit)













## Key Features

- Ceiling-hung fire
- Can be used with or without the heat
- Rotate up to 340° for altering your preferred viewing aspect
- Lifelike oak log-effect
- Open-fronted aesthetic
- Up to 1.5kW heat output
- Chromalight® Immersive LED System
- Three flame colour choices: amber; amber with blue accent; blue
- 13 different fuel bed lighting colours, plus spectrum mode
- Integrated moodlighting with 13 colours, plus spectrum mode
- Adjustable brightness for fuel bed, moodlighting and flame effects
- Bracket option for flat ceiling, or fully adjustable bracket option for vaulted/angled ceilings
- Various flue pipe length options to suit varying ceiling heights
- Thermostatic eco handset
- Ecodesign compliant





# Complete Control

Onyx Orbit fires come with a thermostatic eco handset to give you complete and easy control over the host of features – all from the comfort of your favourite chair. Flames, fuel bed lighting, moodlighting and heating can all be controlled independently. You can cycle through three flame colours, 14 fuel bed effects, 14 moodlighting effects and adjust the brightness of all options to create the ambience you desire.

## Ecodesign Energy Saving Features

Innovative energy-saving features let you 'set and forget' your Onyx Orbit, so you can completely immerse yourself in the visual effects.



You can choose to enjoy your Onyx Orbit's effects with or without the heat, as well as set handy daily and weekly heating schedules to perfectly suit your lifestyle. You can also set your ideal room temperature, and the Orbit will adjust its power to maintain this as efficiently as possible. With Open Window Detection, if the ambient room temperature drops by 4°C within a space of eight minutes, the Orbit's heater will automatically turn off to save energy. Heating can then be easily resumed with the remote control. With Adaptive Start Control, your Orbit automatically determines the most efficient time to turn on in advance of a pre-set heating schedule, in order to reach your desired room temperature ready for when you sit down and relax.





# Experience the Exceptional

When you choose Onyx, you are choosing more than just a fire or stove. You are choosing the pinnacle of British innovation and quality. You are choosing prestige. As part of the Stovax Heating Group, Onyx represents the pinnacle of more than four decades of British design and engineering expertise. Every fire and stove is born in our state-of-the-art research and development laboratories, and incorporates industry leading technology and design.



The Stovax Heating Group is an ISO9001 and ISO14001 accredited company. Our rigorous quality control system ensures that all our appliances are safety checked and that they comply with the appropriate regulations, with all fires bearing the CE and UKCA mark.



## Expert Retailer Network

We take great care to ensure that our fires are designed, tested, and manufactured to the highest possible quality and safety standards. We are just as determined to make sure they are sold and installed correctly so that you will enjoy years of pleasure from your purchase. Accordingly, you will find our Orbit range is exclusively available from our experienced, independent retailers' showrooms.

## The Onyx Promise

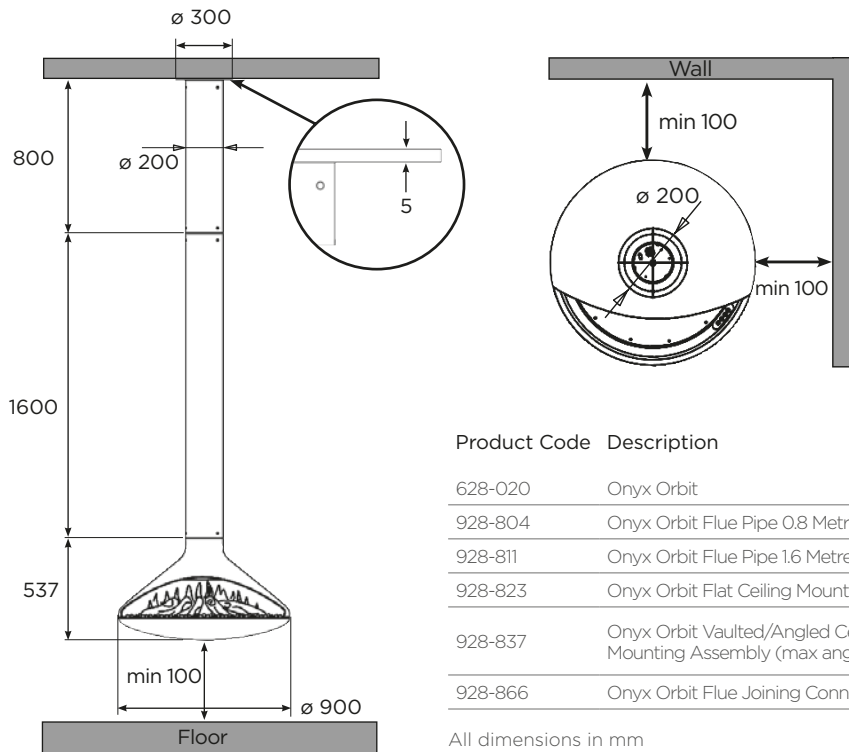
Your Onyx retailer will provide you with a Three Year Warranty for your new electric fire providing it is registered with Onyx. Please note this warranty excludes certain consumable parts. Fires purchased outside of Onyx's Expert Retailer Network will carry a standard One Year Non-Extendable Warranty, or minimum statutory warranty for your country. Full warranty terms and conditions are available at [onyxfires.com/warranty](https://onyxfires.com/warranty)



Find your nearest retailer:  
[onyxfires.com/retailers](https://onyxfires.com/retailers)



# Technical Information



Weight: 65kg

Product Code	Description
628-020	Onyx Orbit
928-804	Onyx Orbit Flue Pipe 0.8 Metre
928-811	Onyx Orbit Flue Pipe 1.6 Metre
928-823	Onyx Orbit Flat Ceiling Mounting Assembly
928-837	Onyx Orbit Vaulted/Angled Ceiling Mounting Assembly (max angle 60°)
928-866	Onyx Orbit Flue Joining Connector*

All dimensions in mm

\*Only required for connecting lengths of flue (928-804 & 928-811).  
Not required for connection of the fire itself or ceiling assembly.

# win

the cost of  
your fire back! ♦

For further home inspiration you can view real life installations at our Onyx Owner Expo showcase page. Share your thoughts and photos of your new fire installation to enter our draw!

Gain a second entry by registering your product online for your free extended warranty here: [onyxfires.com/registration](https://onyxfires.com/registration)



View real life installations and submit your review at:  
[onyxfires.com/ownerexpo](https://onyxfires.com/ownerexpo)

\*Terms and conditions apply. See online for details



## Additional Information

### Product Improvement, Building Regulations & Photography

Onyx pursues a policy of continuous product improvement and our products may change following brochure photography. Exact product details should be discussed with your Onyx retailer at the time of purchase.

### Installation and Safety

This product does not come with a standard three-pin plug, and therefore requires full installation to the mains by a qualified electrician. Onyx Orbit electric fires require a minimum 1mm<sup>2</sup> CSA / 16 AWG cable. Please refer to the instruction manual supplied with the product for full information. It is recommended that persons under the age of 12 should not be left unattended with the product when in operation unless a suitable fireguard is used to protect them against the possibility of direct contact.

Onyx Orbit fires are high-quality heavy appliances, and should be installed onto a suitable load bearing item, such as a ceiling joist or beam. Consult with an engineer or architect to assess the strength capacity of the prospective load bearing item and the required method of mounting.

# onyx

### Stovax Heating Group Ltd

Spitfire Avenue, Skypark, Clyst Honiton, Exeter, Devon, England, EX5 2FR

Trade sales: 01392 261999 / [info@onyxfires.com](mailto:info@onyxfires.com)

Export sales: +44 1392 261990 • [exportsales@onyxfires.com](mailto:exportsales@onyxfires.com)

[onyxfires.com](https://onyxfires.com)

© All material copyright Stovax Heating Group Ltd 2024 E & O E.  
Paper sourced from sustainable forests & printed using vegetable-based inks.



40  
YEARS

STOVAX GAZCO

@stovaxgazco