



**ELGIN & HALL**<sup>®</sup>

BRITISH MADE



HEATING HOMES FOR GENERATIONS



## Welcome

An Elgin & Hall fireplace could easily be the most rewarding addition you make to your home and its value. Since the foundation of our parent company in 1963, we have successfully continued to grow from our base in the North East of England. Every design is lovingly created here in the UK.

Over 56 years of continuous innovation and development has provided us with a collection of fires and fireplaces to suit any interior and lifestyle, whilst always adhering to our founding principles of elegance and simplicity. This timeless quality means your chosen fireplace will always be comfortably in agreement with your tastes in furnishing and décor.

You can rest assured that our gas and electric fires are engineered, produced and tested for peak performance and reliability.

Our surrounds are designed to keep up with changing lifestyles and include features which only we can produce thanks to our investment in the latest machinery.

At the same time, we depend on our craft skills to hand finish and polish each marble, limestone or timber piece to perfection. It is this balance of innovation and heritage that makes your Elgin & Hall fireplace uniquely special.

As part of the BeModern® Group we manufacture a range of product in house, to include, surrounds, fires and fireplaces in marble, limestone and timber, as well as steel and cast stoves. Our bathroom and bedroom range suits both the traditional and contemporary home.



British Made



# Our Commitment

**Highest Standards of Quality** BeModern® furniture suppliers manufacture a world class product and continuous investment means we are recognised as the industry leader:

- Operating to ISO 9001:2015 accreditation
- Working closely with our supply partners to maintain the highest quality of raw materials.
- Investing in new technologies to provide innovative solutions.

## Our CSR Policies

We are aware that global climate change threatens the wellbeing of the natural environment and society. Whilst governments around the world move to agree on cutting greenhouse emissions, as a British manufacturer BeModern® works to minimise our own carbon footprint, cut emissions, reduce waste, recycle and reap the benefits of new, green ways of running a manufacturing business.

## Responsible Manufacturing

We are dedicated to minimising the environmental impacts of our manufacturing activities and seek to explore new ideas through eco innovation, for example our 2010 investment of over £1m in an eco-boiler to convert all waste timber into heat for our factories.

## Environmental Management

Having been accredited with ISO 14001:2015, the internationally recognised environmental management standard, BeModern® is committed to continually improving the effectiveness of our environmental management system.

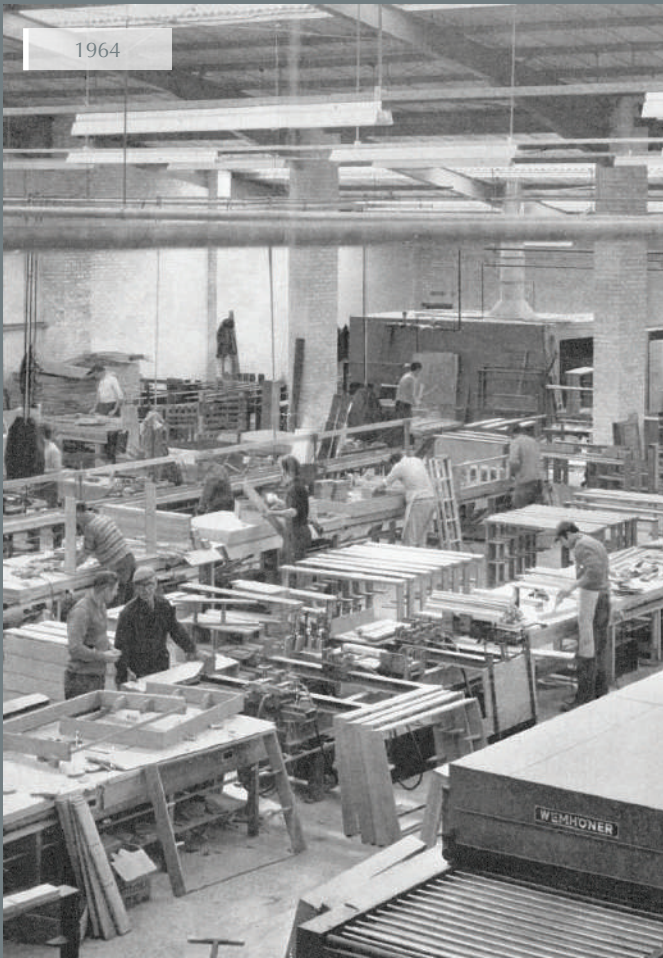
## Transport

BeModern® logistics department makes thousands of deliveries each year, providing us with an opportunity to reduce the carbon footprint through regularly modernising our fleet to minimise noise and air pollution and training drivers in fuel efficient, safe driving.

## FSC® Timber

Wood is a significant material used across many BeModern® products. As demand for forestry products continues to grow, BeModern® plays its part in conservation by selecting over 75% of its raw timber from well-managed FSC® (Forest Stewardship Council®) recognised forests and holds full Forest Stewardship Council chain of custody certification.





1964



2019

# Our history so far



**1963**

Business starts as **Modern Trends** manufacturing fire surrounds in Hendon, Sunderland from a 5000sq.ft factory



**1964**

Business incorporated as BeModern®



**1967**

Expansion of BeModern® leads them to move to larger premises in Nile Street, South Shields



**1970**

Continued expansion leads to purpose built premises in Western Approach, South Shields



**1982**

BeModern® moves into the retail sector with the acquisition of Academy Crafts selling kitchen furniture



**1988**

BeModern® celebrates 25 years as a British manufacturer



**2001**

BeModern® acquires current Shaftsbury Avenue site and commences manufacture of marble surrounds (later extended in 2004 & 2013)



**2006**

BeModern® acquired design and product rights of **Elgin & Hall** - manufacturing hand painted, individually crafted fire surrounds in our Marcraft factory



**2009**

BeModern® acquires **Broseley** in Shropshire, to extend product choice into multifuel, woodburning, electric and gas stoves (later moved to Jarrow Head Office 2019)



**2012**

**Broseley Stoves** now manufactured at our Shaftsbury Avenue site



**2013**

BeModern® celebrates 50 years as a British manufacturer



**2014**

BeModern® headquarters move from Western Approach in South Shields after 44 years to Bedesway Jarrow after a major £1m makeover



**2018**

Elgin & Hall's Pryzm range is developed and released



**2019**

BeModern® successfully exhibit at the Hearth & Home show with a vast range of new product



**2020**

Elgin & Hall will continue to develop first class product and remain at the forefront of the fireplace industry

# Micro Marble Surrounds

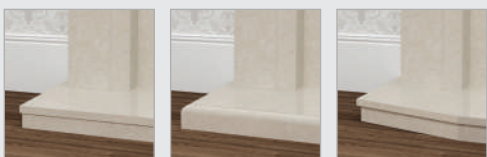
Micro marble is a reconstituted mix of real marble pieces which are crushed and compacted together using resin to ensure a smooth surface finish.

This beautiful material has to be seen to be believed and to be fully appreciated first hand. The craftsmanship we devote to producing fireplaces in our UK workshops is matched by innovation.

## Contents

Roesia.....	7
Elento .....	8
Mosello .....	9
Amorina .....	10
Vitalia.....	11
Verdena.....	12
Viena.....	13
Eliana.....	14
Aurelia.....	15
Florano .....	16
Timara.....	17
Odella .....	18-19
Vamella .....	20
Sophia .....	21

### Hearth Options



**SL** Standard Lipped    **BN** Bullnose    **FS** Five Sided



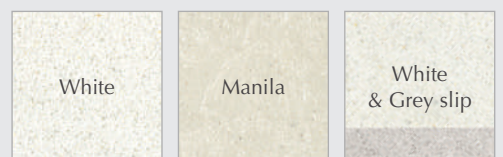
**BESPOKE SIZES**  
Ask your local retailer for more information.

### Optional Lighting

Smartsense Undermantel LED lighting is available on all our marble surrounds.



### Finishes



Our micro marble is available in 3 stunning finishes, Manila, White and White with a Grey slip.

# Roesia

Micro Marble Surround

50" Roesia surround in White micro marble with Smartsense lights featuring a 22" Pryzm inset electric fire with Chollerton fascia in Black Nickel



SL FS BN



**P R Z M**  
REVOLUTIONIZING FLAMES

W1120mm  
44" H1085mm  
D400mm

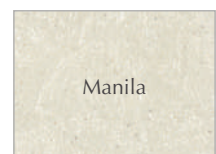
W1270mm  
50" H1145mm  
D400mm

Rebate  
45mm / 75mm

Back Panel cut out  
16" / 22"\*



White



Manila

\*22" cut out not available on 44" model

NEW

# Elento

Micro Marble Surround

52" Elento surround in White & Grey slip micro marble with smartsense lights featuring a 16" Pryzm electric fire with Chollerton fascia in Chrome



8



PRYZM  
REVOLUTIONIZING FLAMES

W1220mm  
48" H1115mm  
D400mm

W1320mm  
52" H1115mm  
D400mm

Rebate  
45mm / 75mm

Back Panel cut out  
16" / 22"\*



\*22" cut out for Chollerton gas is not available on 48" model (Only electric is compatible)



NEW

# Mosello

Micro Marble Surround

52" Mosello surround in White & Grey slip micro marble with Smartsense lights featuring a 16" Chollerton gas fire in Black Nickel



Elento & Mosello | Micro Marble Surround | [elginandhall.co.uk](http://elginandhall.co.uk) | 9

SL



EEC: C

W1220mm  
48" H1115mm  
D400mm

W1320mm  
52" H1115mm  
D400mm

Rebate  
45mm / 75mm

Back Panel cut out  
16" / 22"\*



\*22" cut out for Chollerton gas is not available on 48" model (Only electric is compatible)

# Amorina

Micro Marble Surround

50" Amorina surround in White micro marble with Smartsense lights featuring a 16" Pryzm inset electric fire with Devotion fascia in Brushed Steel

10

SL FS BN

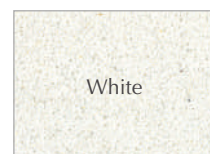


PRYZM  
REVOLUTIONIZING FLAMES

50" W1270mm  
H1137mm  
D400mm

Rebate  
45mm / 75mm

Back Panel cut out  
16" / 22"



White



Manila

# Vitalia

Micro Marble Surround

52" Vitalia surround in White micro marble with Smartsense lights featuring a 22" Chollerton gas fire in Black Nickel



SL FS BN



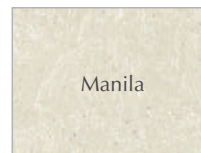
EEC: C

W1220mm  
48" H1080mm  
D400mm

W1320mm  
52" H1040mm  
D400mm

Rebate  
45mm / 75mm

Back Panel cut out  
16" / 22"\*\*\*



\*available on 52" only

\*\*22" cut out for Chollerton gas is not available on 48" model (Only electric is compatible)

# Verdena

Micro Marble Surround

54" Verdena surround  
in White micro marble  
with Smartsense lights  
featuring a Classic  
Devotion Hampden  
gas fire in Black Nickel



12



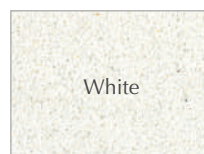
EEC: C

W1220mm  
48" H1110mm  
D400mm

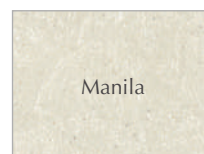
W1370mm  
54" H1110mm  
D400mm

Rebate  
45mm / 75mm

Back Panel cut out  
16" / 22"\*



White



Manila

\*22" cut out is not available on 48" model

# Viena

Micro Marble Surround

48" Viena surround in White micro marble with Smartsense lights featuring an Ember inset electric fire in Chrome

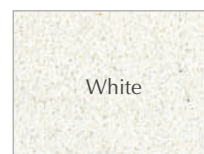


W1220mm  
48" H1110mm  
D400mm

W1370mm  
54" H1110mm  
D400mm

Rebate  
45mm / 75mm

Back Panel cut out  
16" / 22"\*



\*22" cut out is not available on 48" model

# Eliana

Micro Marble Surround

52" Eliana surround in Manila micro marble with Smartsense lights featuring an Eclipsim gas fire in Matt Black with polished detail



14

SL

FS

BN



EEC: C

W1220mm  
48" H1155mm  
D400mm

W1320mm  
52" H1155mm  
D400mm

Rebate  
45mm / 75mm

Back Panel cut out  
16" / 22"\*



White



Manila

\*22" cut out is not available on 48" model

NEW

# Aurelia

Micro Marble Surround

52" Aurelia surround in White micro marble with Smartsense lights featuring a 16" Chollerton gas fire in Chrome



SL FS BN



EEC: C

W1220mm  
48" H1110mm  
D400mm

W1320mm  
52" H1110mm  
D400mm

Rebate  
45mm / 75mm

Back Panel cut out  
16" / 22"\*



White



Manila

\*22" cut out is not available on 48" model

# Florano

Micro Marble Surround

48" Florano surround in White micro marble with Smartsense lights featuring a 16" Pryzm inset electric fire with Devotion fascia in Black Nickel



16



W1070mm 42" H1050mm D400mm	W1220mm 48" H1095mm D400mm	Rebate 45mm / 75mm	Back Panel cut out 16"
----------------------------------	----------------------------------	-----------------------	---------------------------



\*SL available on 42" & 48". BN, FS available on 48" only



# Timara

Micro Marble Surround

48" Timara surround in White & Grey slip micro marble with Smartsense lights featuring a 16" Chollerton gas fire in Black Nickel



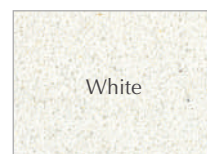
EEC: C

W1070mm  
42" H1050mm  
D400mm

W1220mm  
48" H1095mm  
D400mm

Rebate  
45mm / 75mm

Back Panel cut out  
16"



White



White  
& Grey slip

\*SL available on 42" & 48". BN, FS available on 48" only

# Odella

Micro Marble Surround

54" Odella surround in White micro marble with Smartsense lights featuring a 16" Chollerton gas fire in Chrome



18



EEC: C



White & Grey slip micro marble surround



Manila micro marble surround

EEC: C

W1370mm  
54" H1160mm  
D400mm

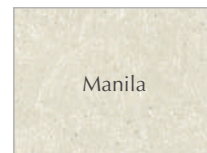
W1370mm  
54" H1235mm  
D400mm

Rebate  
75mm

Back Panel cut out  
16" / 22"



White



Manila



White & Grey slip

# Odella

Micro Marble Inglebrook

54" Odella Inglebrook in White micro marble with Smartsense lights featuring a Canterbury electric stove in Matt Black



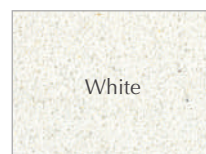
54" W1370mm  
H1235mm  
D400mm

Rebate  
75mm

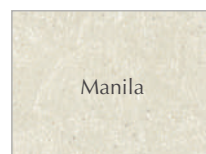
Inglebrook Rear Hearth:  
W1016mm  
H20mm  
D457mm

Inside Leg Opening  
Width: 856mm

Opening Height:  
908mm



White



Manila

# Vamella

Micro Marble Surround

54" Vamella surround in White & Grey slip micro marble with Smartsense lights featuring a 22" Chollerton Edge electric fire in Chrome

20



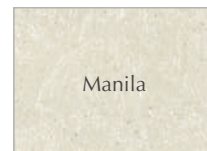
54" W1370mm  
H1155mm  
D400mm

Rebate  
45mm / 75mm

Back Panel cut out  
16" / 22"



White



Manila



White  
& Grey slip

# Sophia

Micro Marble Surround

50" Sophia surround in Manila micro marble with Smartsense lights featuring a 16" Devotion gas fire in Black Nickel



SL FS BN



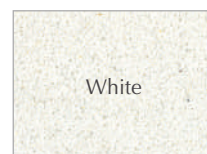
EEC: C

W1170mm  
46" H1085mm  
D400mm

W1270mm  
50" H1145mm  
D400mm

Rebate  
45mm / 75mm

Back Panel cut out  
16" / 22"\*



\*22" cut out is not available on 46" model

# Limestone Surrounds

To create a graceful Limestone centrepiece, the quarried stone is expertly selected, cut, carved and smoothed to give your room a splendid feature. Limestone has been sought after down the ages due to its adaptability.

Our Limestone surrounds are manufactured from natural stone resulting in natural variation; this can include shading, veining, crystal markings and fossils. Therefore the Limestone surround you purchase may differ slightly from that shown in this brochure and have its own unique markings. This is the beauty of a natural stone product.

---

## Contents

Colwyn.....	23
Vitalia.....	24
Elissa.....	24
Aurelia.....	25
Colwyn Inglenook.....	25

### Hearth Options



<b>SL</b>	Standard Lipped	<b>BV</b>	Bevelled Deep
-----------	-----------------	-----------	---------------

### Lighting

Smartsense Undermantel lighting is standard on all our Limestone surrounds.



### Caring for Limestone

Limestone needs special care and attention. It can stain and is sensitive to acids such as citrus juice, vinegar and household cleaning chemicals.

- Use a mild, neutral cleaner
- Avoid chemical cleaners, wax or polish
- Simply clean with warm water

# Colwyn

Limestone Surround

54" Colwyn surround in Limestone with Smartsense lights featuring a 16" inset gas fire with Cast Stove front in Matt Black



BV



EEC: C

54" W1370mm  
H1170mm  
D400mm

Rebate  
25mm

Back Panel cut out  
16"

Limestone

# Vitalia

Limestone Surround

52" Vitalia surround in Limestone with Smartsense lights featuring a 22" Chollerton inset gas fire in Chrome

W1320mm  
52" H1035mm  
D400mm

Rebate  
75mm

Back Panel cut out  
16" / 22"



SL



EEC: C



Limestone

W1270mm  
50" H1140mm  
D400mm

Rebate  
75mm

Back Panel cut out  
16"

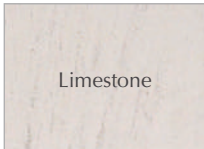
# Elissa

Limestone Surround

50" Elissa surround in Limestone with Smartsense lights featuring a 16" inset gas fire with Eclipsim cast fascia



24



Limestone

SL



EEC: C



# Aurelia

Limestone Surround

48" Aurelia surround in Limestone with Smartsense lights featuring a 16" Chollerton gas fire in Black Nickel

W1220mm  
48" H1105mm  
D400mm

Rebate  
75mm

Back Panel cut out  
16"



SL



EEC: C

Limestone

W1370mm  
54" H1170mm  
D400mm

Rebate  
25mm

Inside Leg Opening  
Width: 840mm

Opening Height:  
740 - 875mm

Inglenook Rear  
Hearth:  
W900mm  
H30mm  
D500mm

# Colwyn

Limestone Inglenook

54" Colwyn inglenook in Limestone with Smartsense lights featuring an Evolution 5 Deluxe multifuel stove



Limestone

BV



EEC: A+

# Micro Marble Gas Fireplaces

## Pre-Cast or Standard flue solutions

We have engineered a way to fit our new highly desirable gas fires into the standard 16 x 22" opening in a UK chimney breast or pre-cast flue, with no building work.

Whichever you prefer, the installation is all the more simple because all the fireplaces are made as a complete single unit. It has taken years of research to develop and perfect this innovative technology which puts Elgin & Hall a step ahead of the market.

## Contents

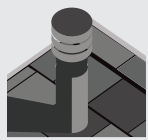
Embleton .....	27
Vitalia .....	28
Cassius .....	29
Wayland .....	30
Mariella .....	31
Earlston.....	32
Orieta.....	33

### Flue Fit Options

Standard

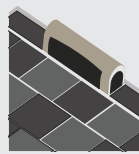


Brick Chimney Flues  
Class 1



Pre-Fabricated Flues  
Class 2

Pre-Cast

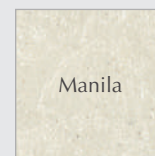


Pre-Cast Flues

### Finishes



White



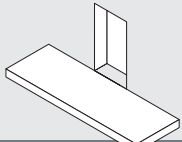
Manila



White  
& Grey slip

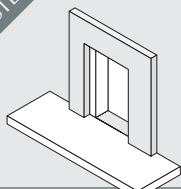
### Easy installation

Easy installation with  
a Pre-cast & Brick  
Chimney (900)



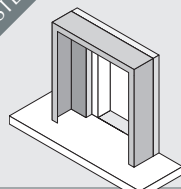
Pre-cast/ Class 1  
flue opening

STEP 1



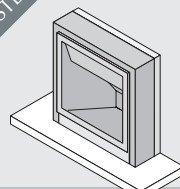
Pre-cast Spacer Frame  
(Not applicable to Class 1 flue)

STEP 2



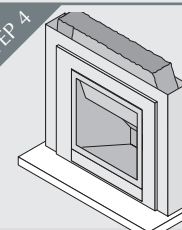
Fixing Plate

STEP 3



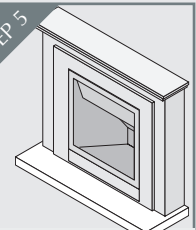
900 gas fire

STEP 4



Marble Surround

STEP 5



Shelf,  
sit back and relax

# Embleton

Micro Marble Gas Fireplace

52" Embleton gas fireplace in White & Grey slip micro marble complete with 900 gas fire



SL

EEC: D

52" W1320mm H1159mm D400mm	Flue Fit Options		Pre-Cast Pre-Cast*	Heat Output 5.1kW
	Standard			
	Brick Chimney Class 1	Pre-fabricated Class 2		



\*For pre-cast model, please state when ordering.

# Vitalia

Micro Marble Gas Fireplace

48" Vitalia gas fireplace in Manila micro marble complete with 900 gas fire



28

SL

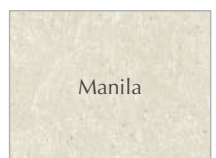
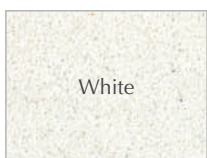
EEC: D

W1220mm  
48" H1080mm  
D400mm

W1320mm  
52" H1150mm  
D400mm

Flue Fit Options	
Standard	Pre-Cast
Brick Chimney Class 1	Pre-fabricated Class 2
	Pre-Cast*

Heat Output  
5.1kW



\*For pre-cast model, please state when ordering.

# Cassius

Micro Marble Gas Fireplace

52" Cassius gas fireplace in White & Grey slip micro marble complete with 950 widescreen gas fire



EEC: E

AWARD WINNER  
BEST GAS SUITE &  
PRODUCT OF THE YEAR

SL

W1320mm  
52" H967mm  
D400mm

Flue Fit Options  
Standard  
Brick Chimney Class 1 | Pre-fabricated Class 2

Pre-Cast  
Pre-Cast\*

Heat Output  
4.6kW

White

White  
& Grey slip

\*For pre-cast model, please state when ordering.

# Wayland

Micro Marble Gas Fireplace

52" Wayland gas fireplace in Manila micro marble complete with 950 widescreen gas fire



30

SL

EEC: E

W1320mm  
52" H947mm  
D400mm

Flue Fit Options  
Standard  
Brick Chimney Class 1 | Pre-fabricated Class 2

Pre-Cast  
Pre-Cast\*

Heat Output  
4.6kW



White



Manila

\*For pre-cast model, please state when ordering.

# Mariella

Micro Marble Gas Fireplace

48" Mariella gas fireplace in Manila micro marble complete with 900 gas fire



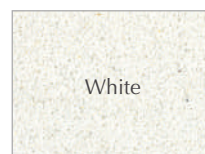
BV

EEC: D

W1220mm  
48" H1089mm  
D400mm

Flue Fit Options  
**Standard**  
Brick Chimney | Pre-fabricated  
Class 1 | Class 2

Heat Output  
5.1kW



White



Manila

NEW

# Earlston

Micro Marble Gas Fireplace

48" Earlston gas fireplace in White micro marble complete with 950 gas fire



32

SL

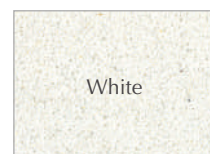
EEC: E

W1220mm  
48" H897mm  
D400mm

Flue Fit Options	
Standard	
Brick Chimney Class 1	Pre-fabricated Class 2

Pre-Cast
Pre-Cast*

Heat Output  
4.6kW



White



Manila

\*For pre-cast model, please state when ordering.



# Orieta

Micro Marble Gas Fireplace

48" Orieta gas  
fireplace in White  
micro marble  
complete with 900  
gas fire



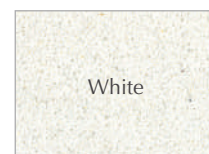
BV

EEC: D

48" W1220mm  
H1089mm  
D400mm

Flue Fit Options  
**Pre-Cast**  
Pre-Cast\*

Heat Output  
5.1kW



White



Manila

# Micro Marble Electric Fireplaces

With a style as beautifully different as the décor and furniture you seek to match, our micro marble electric fireplaces are as individual as you are. Offering 2kW of efficient heat and instant warmth, the flickering flame effect adopts the latest LED technology to produce a play of warming fire like tones that are both realistic and cost effective.

---

## Contents

Cabrina.....	35
Vistus .....	36
Alesso.....	37
Cassius .....	38
Vitalia.....	39
Wayland.....	40
Embleton .....	41
Wellsford.....	42
Farnham .....	43
Newham .....	44
Cotsmore.....	45
Willaston.....	46
Amorina .....	47

### 22" Fire Switch Option

A selection of our electric fireplaces now come with multiple fire options. Look for the 22" Switch symbol within the inset electric fires section, from page 68. Bespoke your fireplace to your home.



### Flame effect

The flame-effect-only setting gives the impression of radiant logs and flickering flames with a choice of three flame effects and brightness levels without the added heat; perfect for warmer nights. The latest LED technology produces a play of warming fire like tones that are both realistic and cost effective.

### Flat to wall fix

This amazing transformation can be fitted in half a day at the most. Because it's electric no chimney or recess is required. It's just a case of simply plugging it in... and let the magic begin.

A white circular icon with the text "FLAT WALL FIX" written in a bold, sans-serif font inside.

NEW

# Cabrina

— Pryzm Micro Marble Electric Fireplace —

52" Cabrina electric fireplace in White micro marble complete with the new 5D 750P Pryzm fire



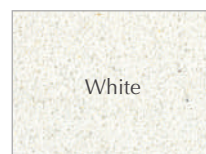
Introduction & Cabrina | Micro Marble Electric Fireplace | [elginandhall.co.uk](http://elginandhall.co.uk) | 35



PRYZM  
REVOLUTIONIZING FLAMES

52" W1320mm  
H1040mm  
D400mm

Heat Output  
up to 2kW



White



Manila

NEW

# Vistus

Pryzm Micro Marble Electric Fireplace

48" Vistus electric fireplace in White micro marble complete with the new Pryzm 5D 750 fire



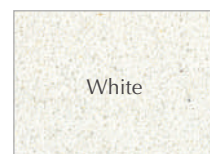
36



PRYZM  
REVOLUTIONIZING FLAMES

48" W1220mm  
H830mm  
D400mm

Heat Output  
up to 2kW



White

Manila

NEW

# Alesso

— Pryzm Micro Marble Electric Fireplace —

48" Alesso electric fireplace in Manila micro marble featuring the new Pryzm 5D 750P fire



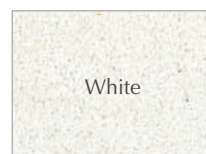
Vistus & Alesso | Micro Marble Electric Fireplace | [elginandhall.co.uk](http://elginandhall.co.uk) | 37



**P R Y Z M**  
REVOLUTIONIZING FLAMES

48" W1220mm  
H1000mm  
D400mm

Heat Output  
up to 2kW



White



Manila

# Cassius

Micro Marble Electric Fireplace

52" Cassius electric fireplace in White micro marble complete with 950 widescreen electric fire



38



W1320mm  
52" H967mm  
D400mm

Heat Output  
up to 2kW



# Vitalia

Micro Marble Electric Fireplace

48" Vitalia electric fireplace in Manila micro marble complete with 900 electric fire



SL



FLAT WALL FIX

48" W1220mm  
H1080mm  
D400mm

52" W1320mm  
H1150mm  
D400mm

Heat Output  
up to 2kW

White

Manila

# Wayland

Micro Marble Electric Fireplace

52" Wayland electric fireplace in Manila micro marble complete with 950 widescreen electric fire

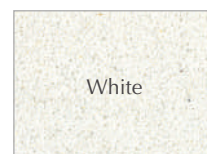


40



W1320mm  
52" H947mm  
D400mm

Heat Output  
up to 2kW



White



Manila



# Embleton

Micro Marble Electric Fireplace

52" Embleton electric fireplace in White & Grey slip micro marble complete with 900 electric fire



52" W1320mm  
H1159mm  
D400mm

Heat Output  
up to 2kW



White



Manila



White  
& Grey slip

# Wellsford

Micro Marble Electric Fireplace

52" Wellsford electric fireplace in White micro marble complete with widescreen electric fire and Anthracite trim



42

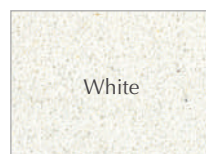


52" Wellsford electric fireplace in Manila micro marble complete with widescreen electric fire and Brushed Steel trim

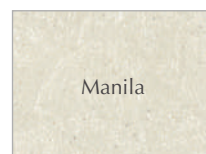
52" W1320mm  
H855mm  
D300mm

Heat Output  
up to 2kW

Brushed Steel or  
Anthracite Trim



White



Manila

NEW

# Farnham

Micro Marble Electric Fireplace

48" Farnham electric fireplace in Manila micro marble complete with Chollerton electric fire in Black Nickel



44" W1120mm  
H930mm  
D240/400mm

48" W1220mm  
H965mm  
D240/400mm

Heat Output  
up to 2kW



# Newham

Micro Marble Electric Fireplace

51" Newham electric fireplace in Manila micro marble complete with Chollerton electric fire in Chrome



44



51" W1296mm  
H1025mm  
D400mm

Heat Output  
up to 2kW



NEW

# Cotsmore

Micro Marble Electric Fireplace

46" Cotsmore electric fireplace in White micro marble complete with 22" Coretta electric fire with 3 Bar trim in Chrome



SL

FLAT WALL FIX

W1170mm  
46" H970mm  
D400mm

Heat Output  
up to 2kW



White



Manila

NEW

# Willaston

Micro Marble Electric Fireplace

52" Willaston electric fireplace in White micro marble complete with 22" Pryzm electric fire with Chollerton fascia in Chrome



46



PRYZM  
THE REVOLUTIONIZING FLAMES

52" W1320mm  
H1159mm  
D400mm

Heat Output  
up to 2kW



# Amorina

Micro Marble Electric Fireplace

50" Amorina electric fireplace in White micro marble complete with Chollerton electric fire in Black Nickel

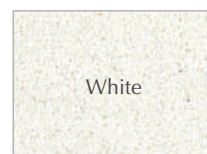


Willaston & Amorina | Micro Marble Electric Fireplace | elginandhall.co.uk | 47



50" W1270mm  
H1040mm  
D300mm

Heat Output  
up to 2kW



White



Manila

# Timber Electric Fireplaces

Our timber electric fireplaces offer the ultimate convenience; they can be installed against any flat wall in any room. These innovative designs are a desirable centrepiece and the 2kW performance provides instant heat when you arrive home, which can supplement the central heating or allow you to heat just one room when the weather is on the cool side.

---

## Contents

Amorina .....	49
Velino .....	50
Arana .....	51
Lavina.....	52
Wellsford .....	53
Edwin .....	54
Bracken .....	55

### Flame effect

The flame-effect-only setting gives the impression of radiant logs and flickering flames with a choice of multiple flame effects & brightness levels without the added heat; perfect for warmer nights. The latest LED technology produces a play of warming fire like tones with that are both realistic and cost effective.



### 7 day Thermostatic Remote Control

An Elgin & Hall inset fire should be effortless to operate. Which is why they come complete with a remote control\* to put different levels of heat, light and flame at your fingertips.

\*Unless otherwise stated

### Flat to wall fix

This amazing transformation can be fitted in half a day at the most. Because it's electric no chimney or recess is required. It's just a case of simply plugging it in... and let the magic begin.

FLAT  
WALL FIX



# Amorina

Timber Electric Fireplace

50" Amorina electric fireplace in Pearlescent Cashmere painted finish with 22" Chollerston electric fire in Chrome



SL



FLAT WALL FIX

50" W1270mm  
H1016mm  
D300mm

Heat Output  
up to 2kW

Pearlescent  
Cashmere

Almond Stone

NEW

# Velino

Pryzm Timber Electric Fireplace

52" Velino electric fireplace in Ash White painted finish with the new Pryzm 5D 750P electric fire



50



P R Z M  
REVOLUTIONIZING FLAMES

52" W1320mm  
H1091mm  
D350mm

Heat Output  
up to 2kW

Ash White

NEW

# Arana

Pryzm Timber Electric Fireplace

50" Arana electric fireplace in Ash White painted finish with the new Pryzm 5D 750P electric fire



Velino & Arana | Timber Electric Fireplace | elginandhall.co.uk | 51



**P R Z M**  
REVOLUTIONIZING FLAMES

50" W1270mm  
H1021mm  
D350mm

Heat Output  
up to 2kW

Ash White

NEW

# Lavina

Pryzm Timber Electric Fireplace

50" Lavina electric fireplace in Ash White painted finish with the new Pryzm 5D 750 electric fire



52



**P R Z M**  
REVOLUTIONIZING FLAMES

50" W1270mm  
H851mm  
D350mm

Heat Output  
up to 2kW

Ash White

# Wellsford

— Timber Electric Fireplace —

52" Wellsford electric fireplace in Soft White painted finish with Anthracite back panel complete with widescreen electric fire and Brushed Steel trim



52" Wellsford electric fireplace in Pearlescent Cashmere painted finish with Anthracite back panel complete with widescreen electric fire and Anthracite trim



BV

7 DAY

FLAT WALL FIX

52" W1320mm  
H875mm  
D300mm

Heat Output  
up to 2kW

Brushed Steel or  
Anthracite Trim

Pearlescent  
Cashmere

Soft White

# Edwin

— Timber Electric Fireplace —

52" Edwin electric fireplace in Matt Cashmere painted finish and Black Nickel inlay with 950 widescreen electric fire



54



52" W1320mm  
H936mm  
D320mm

Heat Output  
up to 2kW

Matt Cashmere

NEW

# Bracken

Timber Electric Fireplace

46" Bracken electric fireplace in Soft White painted finish featuring a Country Oak top complete with electric stove



BN

7 DAY

FLAT WALL FIX

46" W1170mm  
H990mm  
D380mm

Heat Output  
up to 2kW

Ivory, Anthracite  
& Country Oak\*

Soft White &  
Country Oak

\*Only available with Anthracite back panel & hearth

# Inset Gas Fires

Once you've selected your new surround, you may choose to give it a warm glowing heart with an Elgin & Hall gas fire.

Our gas fires are controllable and convenient to operate with a discreet Smartslide control mounted on the top side or a manual control and igniter located behind the fret - flame height and heat output is at your control.

---

## Contents

Flue & Engine Introduction .....	56-59
16" Inset Gas Fires .....	60-61
Cast Collection .....	62
16" Chollerton Gas .....	63
22" Chollerton Gas .....	64
22" Chollerton Cast Stove Front .....	65
Elsie 960BF .....	66-67

---

## Warranty

We provide a 5 year Warranty\* so you can be confident you have purchased and installed a high quality product.

\*Terms & conditions apply.



## Installation

Current regulations stipulate that all gas fire installations must be carried out by a Registered Gas Safe Engineer.

For information and advice on a Gas Safe Engineer, please contact your local Elgin & Hall retailer.

## Servicing

We recommend that all gas fires are serviced annually by a Registered Gas Safe Engineer to ensure continued operation and optimum performance.

This annual service is a condition of our 5 year warranty, and you must be able to show a record of approved servicing to be able to make a claim.

## Safety Assurance



### Flame Failure Device

All of our gas fires are fitted with a flame monitoring device ensuring that in the event of the flame going out during its operation, the gas supply to the fire is instantly cut off.



### Oxygen Depletion Sensor

For your safety, all our gas fires are fitted with an Oxygen Depletion Sensor. This will shut off the gas supply if the oxygen level in the room is too low or if there is a blockage in the chimney or flue.



### Quality Approved

All Elgin & Hall fires are manufactured in accordance with internationally recognised Quality and Environmental Management System Standards ISO 9001:2015 and ISO 14001:2015 guaranteeing responsible working and product quality.

## Accessories



### Xtra Canopy

The Xtra canopy kit\* "tunes" the appliance to your flue to raise the efficiency by up to 8% on an open fronted fire.

\*Available on Slimline or Deepline Radiant models only



### Spacer Kit

The spacer kit fits to the rear of the fire to reduce the depth by 25mm. It is ideal for use with pre-cast flues.



### Handle Options

An easy grip\* attachment allows those with restricted movement to control the ignition & heat.

Matching colour handles are available in Brass & Chrome. A Black Smartslide handle is supplied as standard with Smartslide models.

\*Easy grip handle not suitable for Chollerton gas fire.

## Super Controllable



### Smartslide Control

The discreet Smartslide control mounted at the top right hand side makes your Elgin & Hall gas fire convenient to operate. To turn the fire on simply press down and release.

Likewise you can turn the fire off by lifting to its top position. The control's second function is to regulate the flame height and heat output.

Smartslide controls give you the freedom to change the fire picture from smouldering to blazing at a touch to suit your mood and desired room temperature.



### Manual Control

All our open fronted gas fires are available as manual control. Neatly concealed behind the fret, these controls allow you to regulate your heat output and flame setting before replacing the fret for a sleek finish.

The various types of flue and chimney require different size specifications of gas fire.

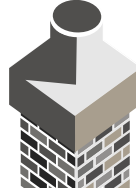
Whichever kind your home has, there is an Elgin & Hall gas fire to fit.

Gaze over the next few pages and you will easily identify which one is suitable for your home.



## Consider the fit

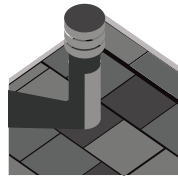
All of our gas fires require a chimney or flue to conduct expended gases to the exterior. To identify which type your house has and which model of fire will fit (slimline, mid-depth or deepline), check the simple descriptions below.



### Brick Chimney Flues Class 1

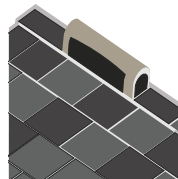
Easily recognisable from the stack above the roof line (usually with a pot or gas terminal).

Once the fire is sealed into the chimney cavity, any harmful gases are expelled up the chimney itself and out of the roof. Any of our gas fires can be installed here.



### Pre-Fabricated Flues Class 2

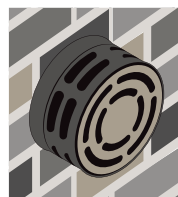
Identifiable by a metal flue and terminal on the roof, this flue system is suitable for all our gas fires. Piping from your flue right down to your fire transports the gasses from the fire and out of the house. Again this flue is suitable for installation with any of our gas fires.



### Pre-Cast Flues

Recognisable by a ridge vent on the roof line, and built from concrete or clay blocks, usually within the wall cavity, the expelled gasses are vented through this shallow passage and out of the roof. Pre-cast flues are perfect for our Slimline or Deepline \* Radiant gas fires.

\* Deepline Radiant fire suitable when installed with a 75mm rebated surround.



### Balanced Flue

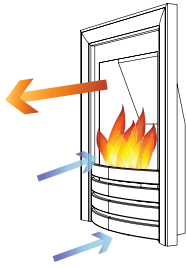
Identified by a round flue installed directly through an external wall. Our balanced flue fire is completely sealed from the front, allowing air to circulate through the flue to the rear of the fire. Cold air is sucked into the fire to combust and the gasses are expelled via the same point. This fire is highly efficient due to its airtight installation and can be installed without a chimney breast.

# Choosing the right engine

## Open Fronted

### Slimline Radiant

Radiant gas fires pull in cold air through their open front, circulating it over the real flames and emitting it back into the room.



Install In:	Pre-Cast, Pre-Fab or Brick Chimney			
Efficiency:	52% (58% with Xtra canopy)			
Control:	Smartslide or Manual			
EEC	F			

		High	Canopy	Low	Canopy
Heat Input:	Manual	6.75kW		3.5kW	
	Smartslide	6.75kW		3kW	
Heat Output:	Manual	3.2kW	3.5kW	1.5kW	1.7kW
	Smartslide			1.3kW	1.4kW

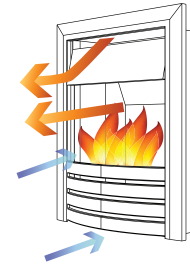
### Deepline Radiant

Install In:	Pre-Cast*, Pre-Fab or Brick Chimney			
Efficiency:	52% (55% with Xtra canopy)			
Control:	Smartslide or Manual			
EEC	F			

		High	Canopy	Low	Canopy
Heat Input:	Manual	6.75kW		3.5kW	
	Smartslide	6.75kW		3kW	
Heat Output:	Manual	3.2kW	3.4kW	1.5kW	1.6kW
	Smartslide			1.3kW	1.4kW

### Deepline Convector

Hot air is transferred through the canopy to circulate the warmth around the room.



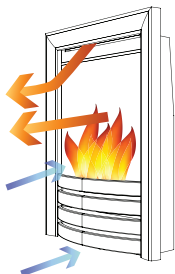
Install In:	Pre-Fab or Brick Chimney	
Efficiency:	62%	
Control:	Smartslide or Manual	
EEC	F	

		High	Low
Heat Input:	Manual	6.75kW	3.5kW
	Smartslide	6.75kW	3kW
Heat Output:	Manual	3.8kW	1.8kW
	Smartslide	3.8kW	1.6kW

## Glass Fronted

### Mid-Depth

A panel of ceramic glass prevents air from being sucked up through the front of the fire and directing heat up the chimney, meaning a higher percentage of convected and radiant heat is propelled back into the room.



Install In:	Pre-Cast, Pre-Fab or Brick Chimney	
Efficiency:	82%	
Control:	Smartslide	
EEC	D	

		High	Low
Heat Input:		3.7kW	2.5kW
Heat Output:		2.7kW	1.7kW

### Deepline

Install In:	Pre-Fab or Brick Chimney	
Efficiency:	87%	
Control:	Smartslide	
EEC	C	

		High	Low
Heat Input:		5.3kW	2.7kW
Heat Output:		4.2kW	2kW

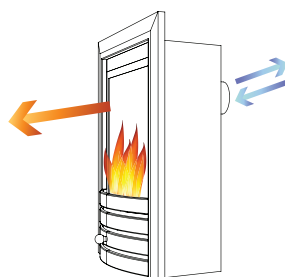
### Chollerton

Install In:	Pre-Fab or Brick Chimney	
Efficiency:	16" = 83%   22" = 86%	
Control:	Smartslide	
EEC	16" = D   22" = C	

		High	Low
Heat Input:	16"	4.8kW	3kW
	22"	5.3kW	2.7kW
Heat Output:	16"	3.6kW	2.1kW
	22"	4.3kW	1.8kW

### Balanced Flue Glass Fronted

This glass fronted balanced flue gas fire is pleasingly traditional with a welcome efficiency of 86% and a cosy 3.3kW heat output.



Install In:	Balanced Flue	
Efficiency:	86%	
Control:	Smartslide or Manual	
EEC	C	

		High	Low
Heat Input:	Manual	4.2kW	2.9kW
	Smartslide	4.2kW	2.7kW
Heat Output:	Manual	3.3kW	2.1kW
	Smartslide	3.3kW	2kW

\* When installed with a 75mm rebate surround  
Energy Efficiency Class (EEC)

# 16" Inset Gas fires

Our range of gas fires are available with an extensive choice of trims and frets to suit your style. Simply select your preferred collection, then choose your finish.



Fire Engine	(C) Inset Depth	Minimum Aperture in Chimney	Open or Glass Fronted	Xtra Canopy
Slimline Radiant	123mm	w405mm x h555mm	Open Fronted	<input checked="" type="checkbox"/>
Deepline Radiant	173mm			<input checked="" type="checkbox"/>
Deepline Convector	198mm			<input checked="" type="checkbox"/>
Mid Depth H.E	128mm		Glass Fronted	<input checked="" type="checkbox"/>
Deepline H.E	198mm			<input checked="" type="checkbox"/>
Balanced Flue	186mm	N/A		<input checked="" type="checkbox"/>

## Exclusive Fascia Collection

The framework of the Exclusive trim has a flat face with a long bevelled edge that slopes down towards the fire. The trim is broad and slightly accented in profile to complement the four boldly curving bands of the fret.

In Brushed Steel, Brass, Chrome or Black, the harmony of the trim and fret creates a non-fussy but sympathetic note to a stylish interior.

Available finishes:



Chrome      Brushed Steel      Brass      Black



## Devotion Fascia Collection

The distinguishing feature of this range of designs is the Black finished framework bordering either side of the metal trim. This serves to provide a dramatic contrast which accentuates the Chrome, Brass, Nickel or Brushed Steel finish. The fret itself curves slightly outwards to add extra interest.

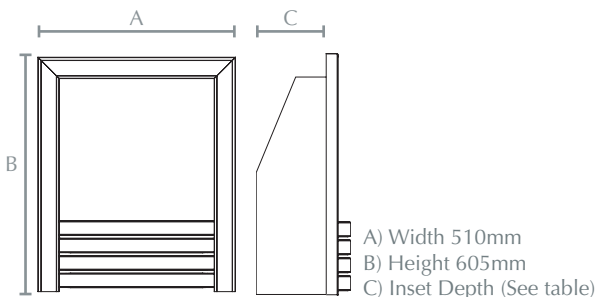
Available finishes:



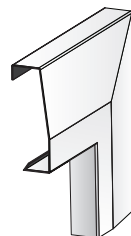
Chrome      Brushed Steel      Brass      Black Nickel



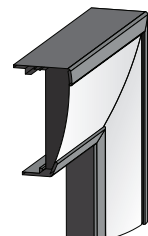
### Dimensions



### Exclusive trim profile



### Devotion trim profile



———— Classic Collection ————

The harmony of the trim and cast fret on the Classic gas fire collection offers clean lines yet remains in keeping to a cutting edge interior. A classic in the making – of that you can be confident. Simply select your preferred fire, whether that is Slimline or Deepline, Manual or Smartslide control and add a trim in Black, Brass, Brushed Steel, Black Nickel or Chrome finish. Then choose your Classic fret to complement your style – the Hampden, Belmont and Brantley fret each offers a unique flair and finish.

———— Choose your Gas Fire Engine complete with Trim ————

Exclusive finishes:



Chrome  
Brushed Steel  
Brass  
Black

Devotion finishes:



Black Nickel  
Brass  
Brushed Steel  
Chrome

———— Choose your Fret ————

Hampden



Chrome



Chrome / Black



Brass / Black



Black Nickel

Belmont



Chrome



Black / Chrome



Brass



Black Nickel

Brantley



Chrome



Brass



Black Nickel



Exclusive Brass trim with Hampden Brass / Black fret



Exclusive Black trim with Belmont Black / Chrome fret

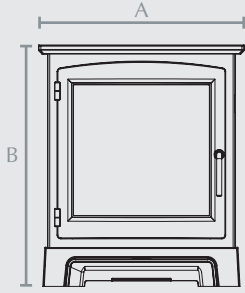


Devotion Chrome trim with Brantley Chrome fret

# Cast Collection

Experience the look and feel of a real stove with the Cast Stove Front in Matt Black finish. Fixes directly onto our glass fronted gas fires so you can experience the high efficiency and controllable flames with a real stove appearance. Also available as a Cast Stove Front Widescreen Gas fire. (see page 65)

Give your fireplace and room a different aesthetic with the Cast Stove Front gas fire. A heavy cast iron trim finishes these fires to give the desirable appearance of a stove.



A) Width 562mm  
B) Height 659mm

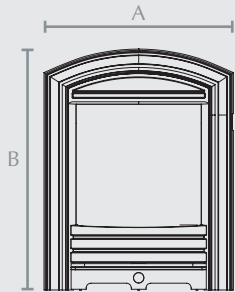
Suitable for

- Mid Depth H.E
- Deepline H.E
- Balanced Flue

————— 16" Cast Stove Front —————



The Eclipsim Cast Fascia in Matt Black finish with polished detail. Fixes directly onto all our gas fires (excluding Deepline Convector) so you can enjoy the high efficiency and controllable flames with a stylish appearance.



A) Width 563mm  
B) Height 716mm

Suitable for

- Slimline Radiant\*
- Deepline Radiant\*
- Mid Depth H.E
- Deepline H.E
- Balanced Flue

————— Eclipsim Cast Fascia —————



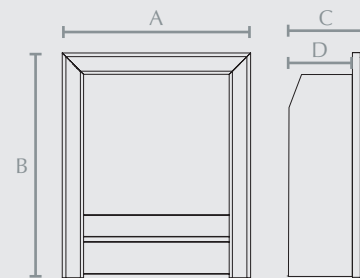
\* Not suitable with the Xtra canopy

# 16" Chollerton Gas

With realistic logs, the unique duel burner system allows the fire to be turned to low whilst still retaining an impressive flame height. Reflective black glass back panels offer the best flame picture and an impressive 3.7kW heat output. A choice of trim options finishes this product to perfection.



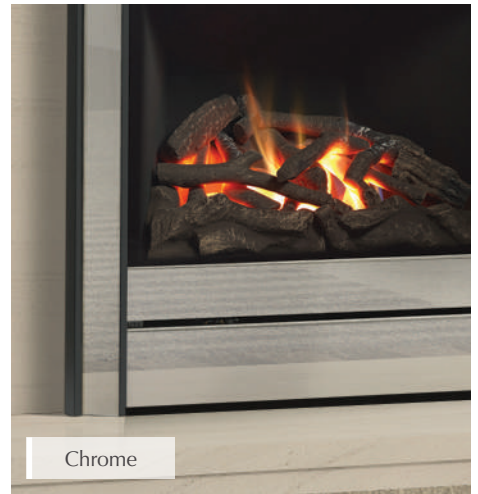
Fascia Finish	Chrome or Black Nickel
Back Panel Cut Out	W405 x H595mm
Min / Max Output	2.2 / 3.7kW
Control	Smartslide
Efficiency	86% / EEC:C
Flue Type	Brick Chimney, Pre-Fabricated



- A) Width 512mm
- B) Height 607mm
- C) Depth 232mm
- D) Inset Depth 197mm

# 22" Chollerton Gas Fire

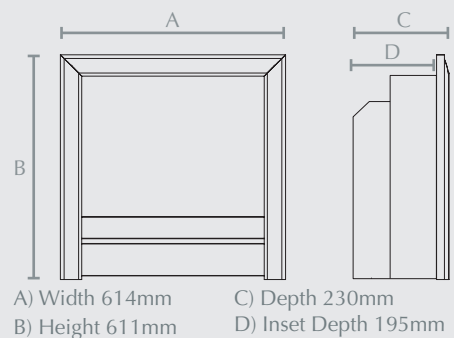
The Chollerton is a stylish glass fronted, high efficiency fire, offering an impressive 86% efficiency. Available in Black Nickel, Brushed Steel or Chrome there is a finish to suit your chosen surround. The Chollerton Gas, a 22" widescreen style for a 16" wide builders opening, requires a 75mm rebated surround.



64

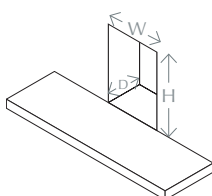
Fascia Finish	Brushed Steel, Chrome, Black Nickel
Back Panel Cut Out	W570 x H595mm
Min / Max Output	1.8 / 4.3kW
Control	Smartslide
Efficiency	86% / EEC:C
Flue Type	Brick Chimney, Pre-Fabricated

## Dimensions



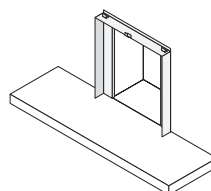
### Easy installation

W: 405mm-460mm  
H: 565mm-590mm  
D: 260mm (min)



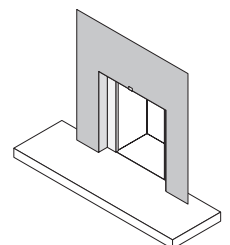
### Step 1

Secure the **Fire Box & Fixing Plate** assembly into the fireplace opening



### Step 2

Position the **Back Panel** onto the fixing plate.





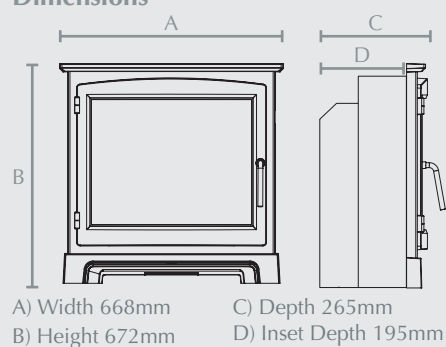
# 22" Chollerton Cast Stove Front

Experience the look and feel of a real stove with the Cast Stove Front in Matt Black finish. Fixing directly onto our Chollerton Widescreen gas fire, you can enjoy the high efficiency and controllable flames with a traditional stove appearance. Requires a 75mm rebated surround.



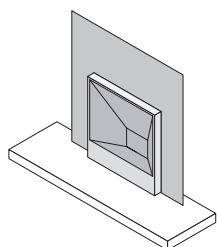
Fascia Finish	Matt Black
Back Panel Cut Out	W570 x H595mm
Control	Smartslide
Efficiency	86% / EEC:C
Flue Type	Brick Chimney, Pre-Fabricated

## Dimensions



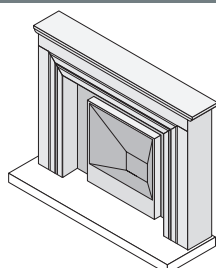
Step 3

Slide the engine into the firebox opening



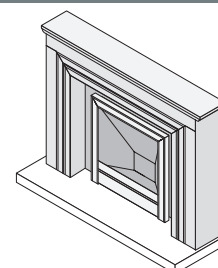
Step 4

Install the fireplace against the wall



Step 5

Fit the trim to the fire



— NEW —





# Elsie 960BF

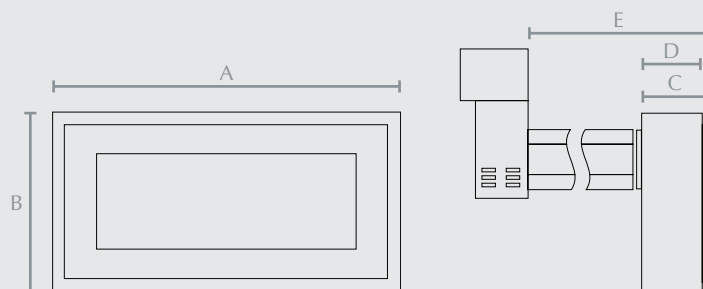
## Balanced Flue inset wall mounted gas fire

The Elsie 960BF balanced flue gas fire is suitable for homes without a chimney. The highly efficient slimline hole in the wall fire can be installed onto any outside wall of the home and generates a contemporary and stylish centrepiece for the room.

This appliance can be installed directly into a cavity wall yet still provides a very deep fuel bed effect for a product of its type. Coupled with a reflective black glass lining, the gas fire delivers a captivating flame effect and beautiful ceramic log layout.

- Inbuilt convector box for cooler wall temperatures
- Balanced flue for cavity wall
- Reflective black glass
- Discreet slide control operation
- Easy to install – easy to service
- Deep fuel bed
- Flush fitting

Fascia Finish	Brushed Steel trim
Min / Max Output	2.1 / 4.6kW
Control	Smartslide
Efficiency	86% / EEC:C
Flue Type	Balanced Flue



A) Width 1198mm  
B) Height 666mm  
C) Depth 187mm

D) Inset Depth 174mm  
E) Wall Depth min 270 - max 725mm

# Inset Electric Fires

Whichever Elgin & Hall micro marble surround you choose, the centre attraction is the fire itself, inset into the back panel.

Whether you are replacing a gas or coal fire or installing a natural focus to a room with no existing fireplace, going electric allows you to connect with clean, instant, efficient and thermostatically controlled heat.

---

## Contents

16" Ember.....	69
16" Pryzm Electric .....	70-71
22" Pryzm Electric .....	72-73
16" Chollerton Electric .....	74
16" Chollerton Edge .....	74
22" Chollerton Electric.....	75
22" Chollerton Edge.....	75
22" Chollerton Cast Stove Front .....	76
22"-16" Chollerton .....	77
22" Coretta.....	78
22" Novus .....	79
Inset Stoves.....	80
Beacon Stove.....	81

### 22" Fire Switch Option

A selection of our 22" electric fires can be chosen to complement a collection of our electric fireplaces. Look out for the 22" Switch symbol within the Micro Marble electric fireplaces section from page 34.



### Benefits

With an electric fire you don't need to generate heat to enjoy its comforting glow. The LED flame effect only control option, lets you experience it any time of the day or year.

### Efficient

Enjoy the convenience of efficient, instantly controllable heat and clean maintenance free living. By itself the LED only effect consumes just 6 watts of energy.



### Manual Switches

Are easily accessible with main functions.



### 7 day Thermostatic Remote Control

An Elgin & Hall inset fire should be effortless to operate. Which is why they come complete with a remote control\* to put different levels of heat, light and flame at your fingertips.

\*Unless otherwise stated

# 16" Ember Inset Electric Fire

If you are looking to make impact with an inset electric fire in your home, Elgin & Hall recommend the Ember. Available in lustrous Black Chrome or Chrome, and now available to fit a 75mm rebate, this dynamic duo look stunning when framed within an Elgin & Hall micro marble surround.

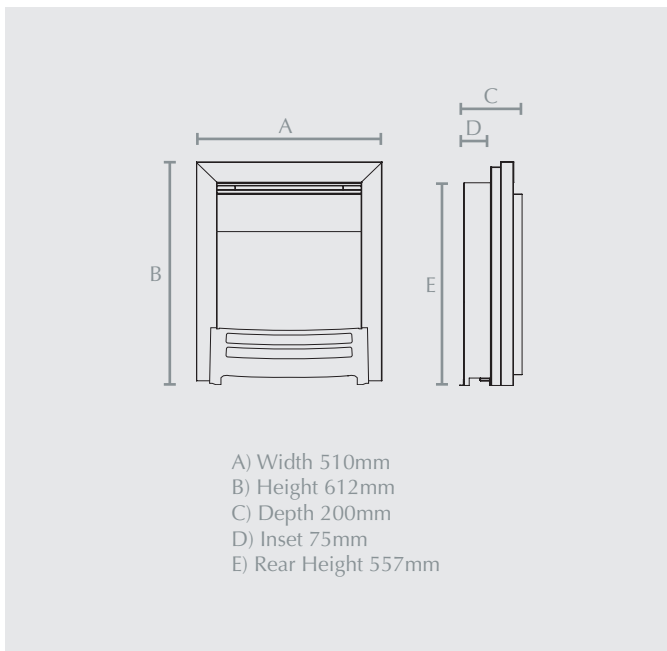
Finish	Inset Depth Required	Back Panel Cut Out	Max Output	Control
Chrome or Black Chrome	75mm	W413 x H565mm	2kW	7 Day Thermostatic Remote Control



Chrome



Black Chrome



# 16" Pryzm Inset Electric Fire

Let the new 16" Pryzm inset electric fires transform your home to a new level of contemporary living. The glorious patent pending 5D flame effect and loose logs create a new level of realism. Enjoy the 2kW heat output at your convenience with the 7 day programmable thermostatic remote control. Select your perfect style from a wide choice of Fascia's shown below.



Chollerton fascia in Black Nickel



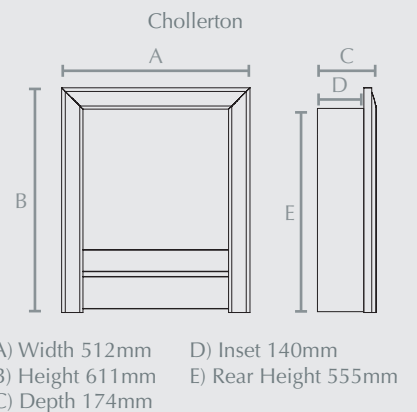
Edge fascia in Black Nickel



Devotion fascia in Chrome

70

Fascia Finish	Chollerton: Chrome or Black Nickel
	Edge: Chrome or Black Nickel
	Devotion: Chrome, Brushed Steel, Brass or Black Nickel
	Classic Devotion + Belmont fret: Chrome, Black, Brass or Black Nickel
	Classic Devotion + Hampden fret: Chrome, Black, Brass or Black Nickel
	Classic Devotion + Brantley fret: Chrome, Brass or Black Nickel
Inset Depth Required	140mm / 75mm (with spacer frame)
Back Panel Cut Out	W413 x H565mm
Max Output	2kW
Control	7 Day Thermostatic Remote Control





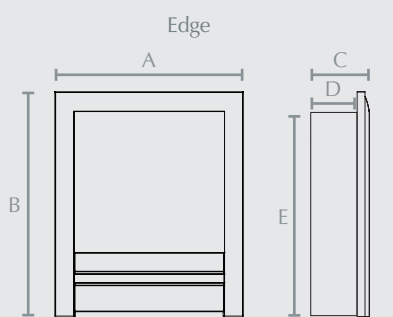
Classic Devotion trim + Belmont Fret in Brass



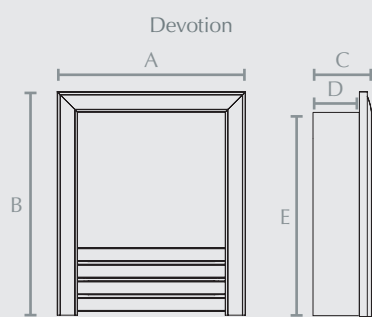
Classic Devotion trim + Brantley fret in Chrome



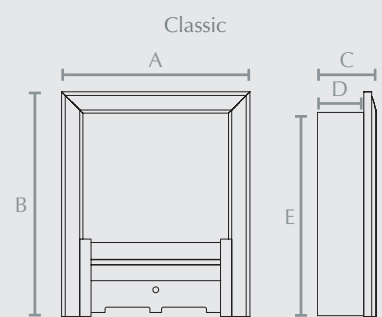
Classic Devotion trim + Hampden fret in Black Nickel



A) Width 512mm  
 B) Height 611mm  
 C) Depth 174mm  
 D) Inset 140mm  
 E) Rear Height 555mm



A) Width 512mm  
 B) Height 611mm  
 C) Depth 174mm  
 D) Inset 140mm  
 E) Rear Height 555mm



A) Width 512mm  
 B) Height 611mm  
 C) Depth 174mm  
 D) Inset 140mm  
 E) Rear Height 555mm

# 22" Pryzm Inset Electric Fire

There's no denying the visual impact of the 22" Pryzm inset electric fire. The panoramic glass screen ensures optimum flame performance and the glowing ember effect with miniature pebble fuel bed can be truly appreciated. A 7 day programmable thermostatic remote control adds the convenience of controlled heat.



Chollerton fascia in Chrome



Black Nickel

Chrome

Brushed Steel

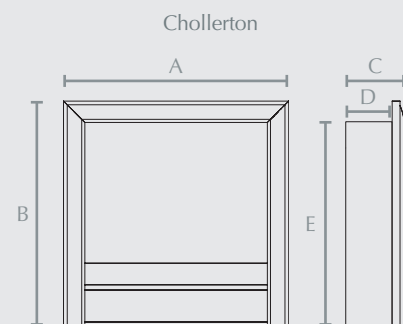


Cast Stove Front fascia in Matt Black



72

Fascia Finish	Chollerton: Chrome, Brushed Steel or Black Nickel Cast Stove front: Matt Black Edge: Chrome or Black Nickel
Inset Depth Required	140mm / 75mm (with spacer frame)
Back Panel Cut Out	W570 x H595mm
Max Output	2kW
Control	7 Day Thermostatic Remote Control



- A) Width 614mm
- B) Height 611mm
- C) Depth 170mm
- D) Inset 140mm
- E) Rear Height 565mm

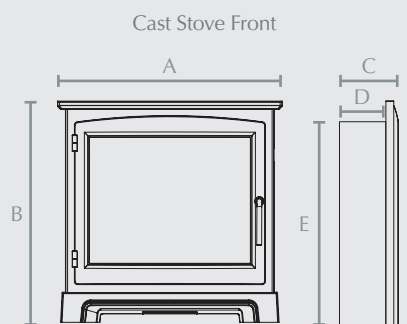




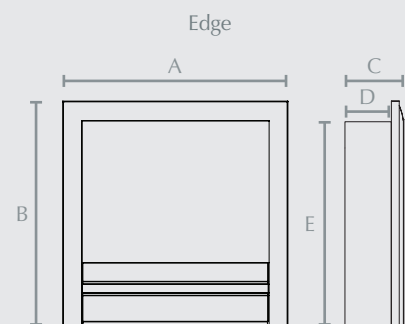
Edge fascia in Black Nickel



Edge fascia in Chrome



- A) Width 614mm
- B) Height 611mm
- C) Depth 170mm
- D) Inset 140mm
- E) Rear Height 565mm



- A) Width 614mm
- B) Height 611mm
- C) Depth 170mm
- D) Inset 140mm
- E) Rear Height 565mm

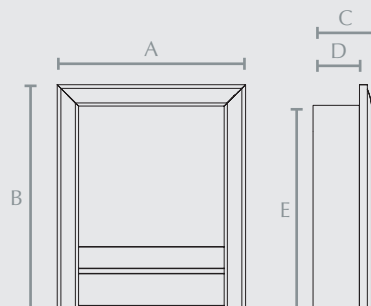
# 16" Chollerton & Edge Inset Electric Fire

The 16" Chollerton inset electric fire is a beautiful addition to any home with its handcrafted log bed and choice of trims, including the Edge. Available with an optional spacer frame to allow simple installation into a 75mm rebate surround.



74

Fascia Finish	Chollerton: Chrome or Black Nickel Edge: Chrome or Black Nickel
Inset Depth Required	140mm / 75mm (with spacer frame)
Back Panel Cut Out	W413 x H595mm
Max Output	2kW
Control	7 Day Thermostatic Remote Control



## 16" Chollerton

- A) Width 512mm
- B) Height 611mm
- C) Depth 174mm
- D) Inset 140mm
- E) Rear Height 555mm

## 16" Chollerton Edge

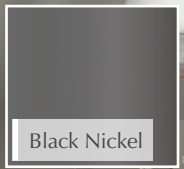
- A) Width 510mm
- B) Height 610mm
- C) Depth 165mm
- D) Inset 140mm
- E) Rear Height 555mm

# 22" Chollerton & Edge Inset Electric Fire

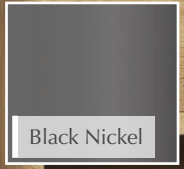
The 22" Chollerton inset electric fire is a stylish glass fronted fire, ideal for larger surrounds. The stunning flame effect and realistic glowing log bed create a warm glow in any home. Available in a choice of finishes, both in the Chollerton and Edge trim.



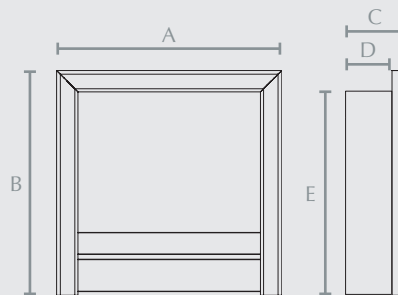
Chollerton in Black Nickel



Edge in Black Nickel



Fascia Finish	Chollerton: Chrome, Black Nickel or Brushed Steel Edge: Chrome or Black Nickel
Inset Depth Required	140mm / 75mm (with spacer frame)
Back Panel Cut Out	W570 x H595mm
Max Output	2kW
Control	7 Day Thermostatic Remote Control



## 22" Chollerton

- A) Width 614mm
- B) Height 611mm
- C) Depth 170mm
- D) Inset 140mm
- E) Rear Height 565mm

## 22" Chollerton Edge

- A) Width 610mm
- B) Height 611mm
- C) Depth 170mm
- D) Inset 140mm
- E) Rear Height 565mm

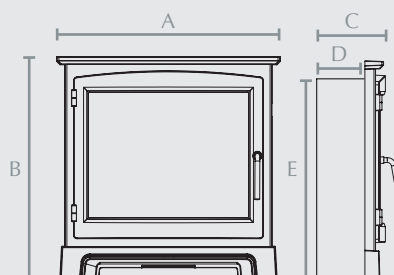
# 22" Chollerton Cast Stove Front

Experience the look and feel of a real stove with the Cast Stove Front in Matt Black finish. Fixes directly onto our Chollerton electric fire so you can enjoy controllable flames with a traditional stove appearance.



76

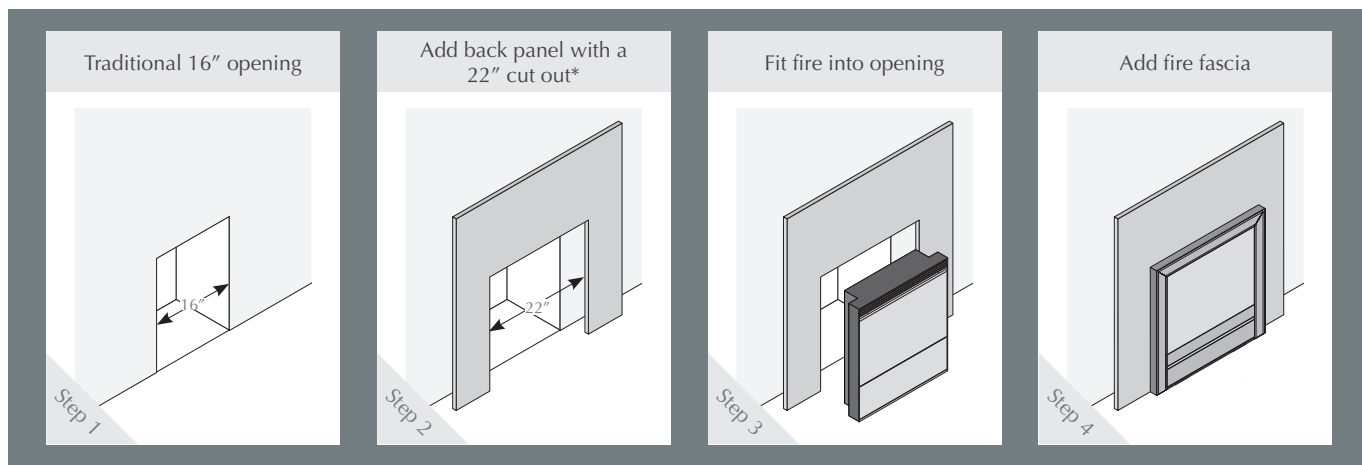
Fascia Finish	Matt Black
Inset Depth Required	140mm
Back Panel Cut Out	W570 x H595mm
Max Output	2kW
Control	7 Day Thermostatic Remote Control



- A) Width 668mm
- B) Height 672mm
- C) Depth 205mm
- D) Inset 140mm
- E) Rear Height 565mm

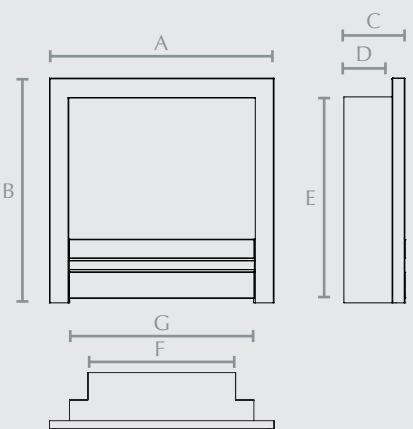
# 22" - 16" Chollerton Inset Electric Fire

Our 22" to 16" Chollerton inset electric fire is the perfect solution to fit a 22" cut out back panel which sits against a standard 16" chimney opening. There's no need to make any alterations to your chimney, meaning you can relax and enjoy the warming aesthetic, without costly building work.



\*The Chollerton also fits a 16" back panel cut out against a standard 16" wide chimney opening with the use of a spacer frame.

Fascia Finish	Chollerton: Chrome, Brushed Steel, Black Nickel Cast Stove Front: Matt Black** Edge: Chrome, Black Nickel
Inset Depth Required	140mm / 75mm (with spacer frame)
Back Panel Cut Out	W413 / 570 x H595mm
Max Output	2kW
Control	7 Day Thermostatic Remote Control



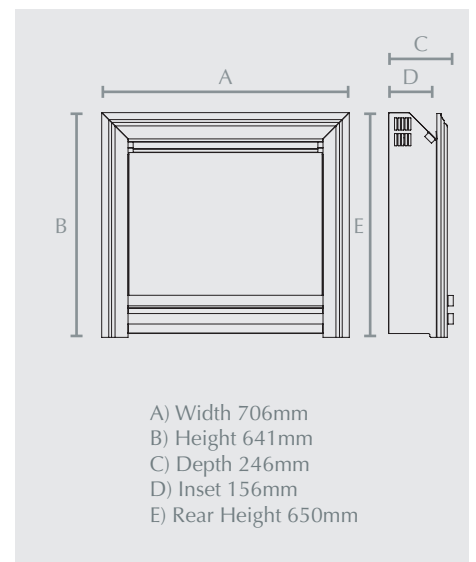
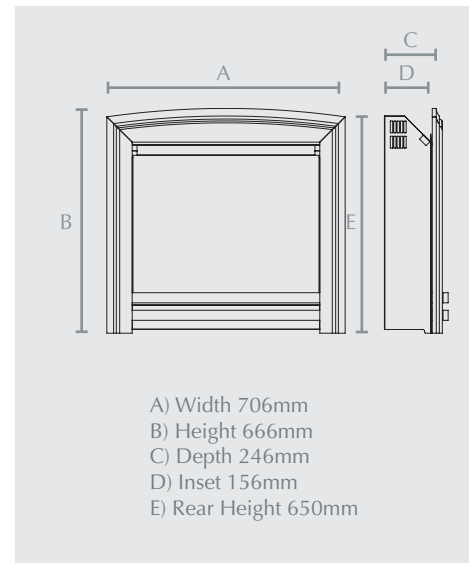
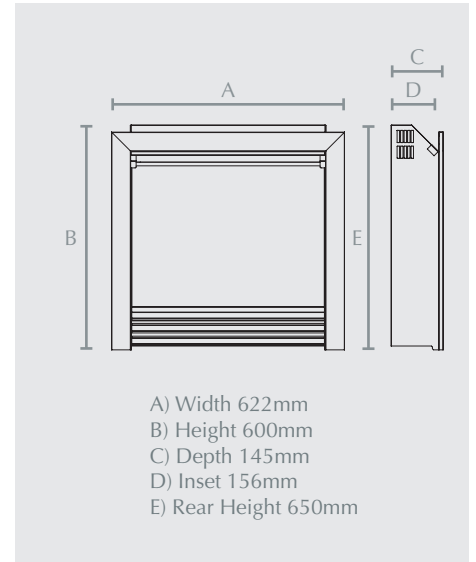
A) Width 612mm  
B) Height 611mm  
C) Depth 170mm  
D) Inset 140mm  
E) Rear Height 565mm  
F) Inset Width 403mm  
G) Inset Width 503mm

\*\*Only suitable with 22" back panel

# 22" Coretta Electric Inset Fire

Available in three striking finishes, Chrome 3 bar, Black Nickel 3 bar or Anthracite trim, the Coretta will bring your fireplace to life. Envelop your room with up to 2kW of comforting warmth and admire the dancing flames and smouldering log bed displayed within.

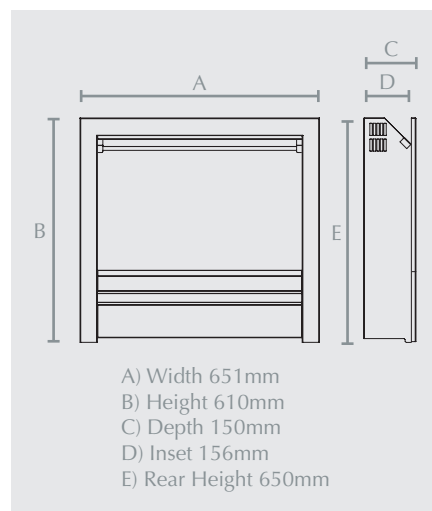
Fascia Finish	Inset Depth Required	Back Panel Cut Out	Max Output	Control
Chrome, Black Nickel or Anthracite	165mm	W570 x H595mm	1kW / 2kW	Manual



# 22" Novus Inset Electric Fire

The 22" Novus electric fire has a contemporary trim in Black Nickel or Chrome finish and realistic log fuel bed. The modern design of the Novus trim beautifully frames the new realistic glowing log bed and creates a beautiful focus in any room. Available to fit a wide range of both Micro Marble & Timber surrounds.

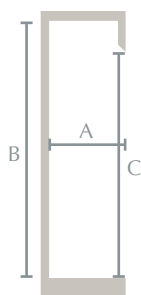
Fascia Finish	Inset Depth Required	Back Panel Cut Out	Max Output	Control
Chrome or Black Nickel	165mm	W570 x H595mm	1kW / 2kW	Manual



## 22" Coretta & Novus Installation in to wall

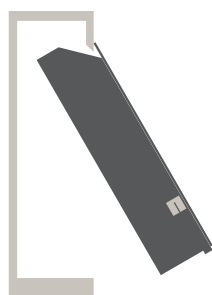
### Step 1

Ensure that the installation aperture dimensions are as to the below specification.



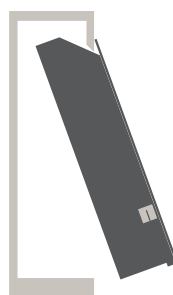
### Step 2

Swing the unit into the opening and rest the bottom of the fire onto the bottom of the recess.



### Step 3

Gently push the fire backwards into the recess / surround until it is flush against the wall / panel.



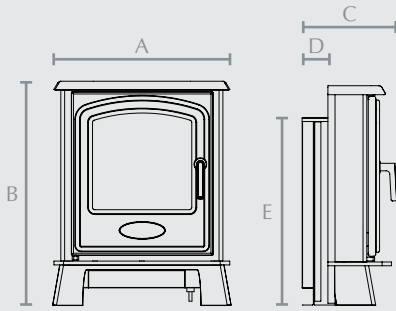
### Step 4

The spring clips will keep the fire in position. Then attach trim of choice.



# Inset Stoves

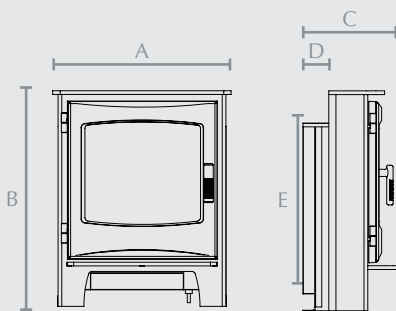
## Ora



- A) Width 489mm
- B) Height 598mm
- C) Depth 260mm
- D) Inset 69mm
- E) Rear Height 536mm



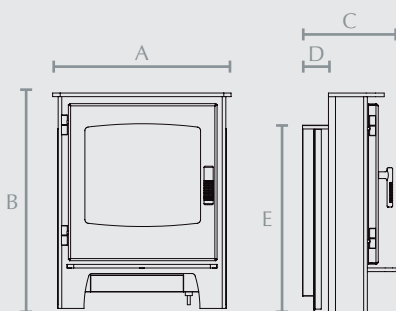
## Ignite



- A) Width 485mm
- B) Height 589mm
- C) Depth 250mm
- D) Inset 69mm
- E) Rear Height 500mm



## Desire



- A) Width 485mm
- B) Height 589mm
- C) Depth 250mm
- D) Inset 69mm
- E) Rear Height 500mm



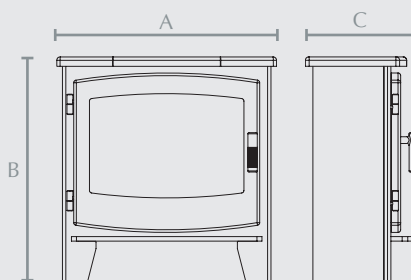


# Beacon Stove

A freestanding lightweight stove made from timber, but with the distinct appearance of steel, the Beacon offers an ultra realistic flame effect and glowing log bed. Conveniently control the 2kW heat output with the 7 day programmable thermostatic remote control.



Finish	Matt Black
Max Output	Up to 2kW
Control	7 Day Thermostatic Remote Control



**Small**  
 A) Width 486mm  
 B) Height 599mm  
 C) Depth 286mm

**Large**  
 A) Width 586mm  
 B) Height 599mm  
 C) Depth 286mm

# Finishes & Dimensions



## Micro Marble Surrounds

Page	Model	Mantel Width	Height	Hearth Width	Hearth Depth	Rebate	Smartsense Lights	Hearth Option	Finishes
15	Aurelia	1220mm (48")	1110mm	1220mm	400mm	45mm / 75mm	Optional	SL, FS, BN	A, B
15	Aurelia*	1320mm (52")	1110mm	1320mm	400mm	45mm / 75mm	Optional	SL, FS, BN	A, B
10	Amorina*	1270mm (50")	1137mm	1270mm	400mm	45mm / 75mm	Optional	SL, FS, BN	A, B
8	Elento	1220mm (48")	1115mm	1220mm	400mm	45mm / 75mm	Optional	SL	C
8	Elento	1320mm (52")	1115mm	1320mm	400mm	45mm / 75mm	Optional	SL	C
14	Eliana	1220mm (48")	1155mm	1220mm	400mm	45mm / 75mm	Optional	SL, FS, BN	A, B
14	Eliana*	1320mm (52")	1155mm	1320mm	400mm	45mm / 75mm	Optional	SL, FS, BN	A, B
16	Florano	1070mm (42")	1050mm	1070mm	400mm	45mm / 75mm	Optional	SL	B, C
16	Florano	1220mm (48")	1095mm	1220mm	400mm	45mm / 75mm	Optional	SL, FS, BN	B, C
9	Mosello	1220mm (48")	1115mm	1220mm	400mm	45mm / 75mm	Optional	SL	C
9	Mosello	1320mm (52")	1115mm	1320mm	400mm	45mm / 75mm	Optional	SL	C
19	Odella - Ingleenook†*	1370mm (54")	1235mm	1370mm	400mm*	75mm	Optional	SL	A, B
18	Odella*	1370mm (54")	1235mm	1370mm	400mm	75mm	Optional	SL	A, B, C
18	Odella*	1370mm (54")	1160mm	1370mm	400mm	75mm	Optional	SL	A, B, C
7	Roesia	1120mm (44")	1085mm	1120mm	400mm	45mm / 75mm	Optional	SL, FS, BN	A, B
7	Roesia*	1270mm (50")	1145mm	1270mm	400mm	45mm / 75mm	Optional	SL, FS, BN	A, B
21	Sophia	1170mm (46")	1085mm	1170mm	400mm	45mm / 75mm	Optional	SL, FS, BN	A, B
21	Sophia*	1270mm (50")	1145mm	1270mm	400mm	45mm / 75mm	Optional	SL, FS, BN	A, B
17	Timara	1070mm (42")	1050mm	1070mm	400mm	45mm / 75mm	Optional	SL	B, C
17	Timara	1220mm (48")	1095mm	1220mm	400mm	45mm / 75mm	Optional	SL, FS, BN	B, C
20	Vamella*	1370mm (54")	1155mm	1370mm	400mm	45mm / 75mm	Optional	SL	A, B, C
12	Verdena	1220mm (48")	1110mm	1220mm	400mm	45mm / 75mm	Optional	SL	A, B
12	Verdena*	1370mm (54")	1110mm	1370mm	400mm	45mm / 75mm	Optional	SL	A, B
13	Viena	1220mm (48")	1110mm	1220mm	400mm	45mm / 75mm	Optional	SL	A, B
13	Viena*	1370mm (54")	1110mm	1370mm	400mm	45mm / 75mm	Optional	SL	A, B
11	Vitalia	1220mm (48")	1080mm	1220mm	400mm	45mm / 75mm	Optional	SL, FS, BN	A, B
11	Vitalia*	1320mm (52")	1040mm	1320mm	400mm	45mm / 75mm	Optional	SL, FS, BN	A, B, C

\*Back panel available with 22" cut out for installation with the Chollerton gas or electric fires. NB: all of our surrounds are available with Smartsense lights  
 †Not suitable for solid fuel stoves | • Ingleenook hearth supplied - 1016x457x20mm | Ingleenook Back Panels not supplied

## Limestone Surrounds

Page	Model	Mantel Width	Height	Hearth Width	Hearth Depth	Rebate	Smartsense Lights	Hearth	Finish
25	Aurelia	1220mm (48")	1105mm	1220mm	400mm	75mm	As standard	SL	D
23	Colwyn	1370mm (54")	1170mm	1370mm	400mm	25mm	As standard	BV	D
25	Colwyn Ingleenook**	1370mm (54")	1170mm	1370mm	400mm**	25mm	As standard	BV	D
24	Elissa	1270mm (50")	1140mm	1270mm	400mm	75mm	As standard	SL	D
24	Vitalia	1320mm (52")	1035mm	1320mm	400mm	75mm	As standard	SL	D

\*\* Ingleenook hearth supplied - 900x500x30mm

## Micro Marble Gas Fireplaces

Page	Model	Mantel Width	Height	Hearth Width	Hearth Depth	Hearth	Finish	EEC	Efficiency
29	Cassius	1320mm (52")	967mm	1320mm	400mm	SL	B, C	E	75.3%
32	Earlston	1220mm (48")	897mm	1220mm	400mm	SL	A, B	E	75.3%
27	Embleton	1320mm (52")	1159mm	1320mm	400mm	SL	A, B, C	D	83%
31	Mariella	1220mm (48")	1089mm	1220mm	400mm	BV	A, B	D	83%
33	Orieta	1220mm (48")	1089mm	1220mm	400mm	BV	A, B	D	83%
28	Vitalia	1220mm (48")	1080mm	1220mm	400mm	SL	A, B	D	83%
28	Vitalia	1320mm (52")	1150mm	1320mm	400mm	SL	A, B	D	83%
30	Wayland	1320mm (52")	947mm	1320mm	400mm	SL	A, B	E	75.3%

## Micro Marble Electric Fireplaces

Page	Model	Mantel Width	Height	Hearth Width	Hearth Depth	Hearth Option	Finishes	22" Switch
37	Alesso	1220mm (48")	1000mm	1220mm	400mm	SL	A, B	✗
47	Amorina	1270mm (50")	1040mm	1270mm	300mm	SL	A, B	✓
35	Cabrina	1320mm (52")	1040mm	1320mm	400mm	SL	A, B	✗
38	Cassius	1320mm (52")	967mm	1320mm	400mm	SL	B, C	✗
45	Cotsmore	1170mm (46")	970mm	1170mm	400mm	SL	A, B	✓
41	Embleton	1320mm (52")	1159mm	1320mm	400mm	SL	A, B, C	✗
43	Farnham	1120mm (44")	930mm	1120mm	240mm / 400mm	BV	A, B	✓
43	Farnham	1220mm (48")	965mm	1220mm	240mm / 400mm	BV	A, B	✓
44	Newham	1296mm (51")	1025mm	1296mm	400mm	SL	A	✓
36	Vistus	1220mm (48")	830mm	1220mm	400mm	SL	A, B	✗
39	Vitalia	1220mm (48")	1080mm	1220mm	400mm	SL	A, B	✗
39	Vitalia	1320mm (52")	1150mm	1320mm	400mm	SL	A, B	✗
40	Wayland	1320mm (52")	947mm	1320mm	400mm	SL	A, B	✗
42	Wellsford	1320mm (52")	855mm	1320mm	300mm	SL	A, B	✗
46	Willaston	1320mm (52")	1159mm	1320mm	400mm	SL	B, C	✓

## Timber Electric Fireplaces

Page	Model	Mantel Width	Height	Hearth Width	Hearth Depth	Hearth Option	Finishes	22" Switch
49	Amorina	1270mm (50")	1016mm	1270mm	300mm	SL	E, G	✗
51	Arana	1270mm (50")	1021mm	1270mm	350mm	SL	K	✗
55	Bracken	1170mm (46")	990mm	1170mm	380mm	BN	F, H (+L)	✗
54	Edwin	1320mm (52")	936mm	1320mm	320mm	BV	J	✗
52	Lavina	1270mm (50")	851mm	1270mm	350mm	SL	K	✗
50	Velino	1320mm (52")	1091mm	1320mm	350mm	SL	K	✗
53	Wellsford	1320mm (52")	875mm	1320mm	300mm	BV	G, H	✗

## Inset Gas Fires: Exclusive & Devotion

Page	Model	Width	Height	Inset Depth	Inset Width	Inset Height	EEC
60	Slimline Radiant	510mm	605mm	123mm	352mm	553mm	F
60	Deepline Radiant	510mm	605mm	173mm	403mm	553mm	F
60	Convactor Deepline	510mm	605mm	198mm	403mm	553mm	F
60	Mid-Depth High Efficiency	510mm	605mm	128mm	403mm	553mm	D
60	Deepline High Efficiency	510mm	605mm	198mm	403mm	553mm	C
60	Balanced flue	510mm	605mm	186mm	400mm	550mm	C

See pages 60-61 for finishes

## Inset Gas Fires: Chollerton Gas

Page	Model	Width	Height	Inset Depth	Inset Width	Inset Height	EEC
63	16" Chollerton	512mm	607mm	197mm	403mm	555mm	C
64	22" Chollerton	614mm	611mm	195mm	560mm	556mm	C

## Inset Gas Fires: Cast Stove Front

Page	Model	Width	Height	Inset Depth	Inset Width	Inset Height
62	16" Mid-Depth High Efficiency	562mm	659mm	128mm	403mm	553mm
62	16" Deepline High Efficiency	562mm	659mm	198mm	403mm	553mm
62	16" Balanced flue	562mm	659mm	186mm	400mm	550mm
65	22" Chollerton	668mm	672mm	195mm	560mm	556mm

## Inset Gas Fires: Eclipsim Cast Fascia

Page	Model	Width	Height	Inset Depth	Inset Width	Inset Height
62	Slimline Radiant	563mm	716mm	123mm	352mm	553mm
62	Deepline Radiant	563mm	716mm	173mm	403mm	553mm
62	Mid-Depth High Efficiency	563mm	716mm	128mm	403mm	553mm
62	Deepline High Efficiency	563mm	716mm	198mm	403mm	553mm
62	Balanced flue	563mm	716mm	186mm	400mm	550mm

## Wall Mounted Inset Balanced Flue Gas Fire

Page	Model	Width	Height	Depth	Inset Depth	Finish	EEC
66-67	Elsie 960 BF	1198mm	666mm	187mm	174mm	Brushed Steel Trim	C

## Inset Electric Fires

Page	Model	Trim	Width	Height	Inset Depth	Finish	22" Switch
74	16" Chollerton	Chollerton	512mm	611mm	140mm / 75mm*	Chrome or Black Nickel	✗
74	16" Chollerton Edge	Edge	510mm	610mm	140mm / 75mm*	Chrome or Black Nickel	✗
69	16" Ember	Ember	510mm	612mm	75mm	Chrome or Black Chrome	✗
70-71	16" Pryzm	Chollerton	512mm	611mm	140mm / 75mm*	Chrome or Black Nickel	✗
		Edge	512mm	611mm	140mm / 75mm*	Chrome or Black Nickel	✗
		Devotion	512mm	611mm	140mm / 75mm*	Brass, Brushed Steel, Chrome, Blk Nickel	✗
		Devotion + Belmont	512mm	611mm	140mm / 75mm*	Brass, Brushed Steel, Chrome, Blk Nickel	✗
		Devotion + Hampden	512mm	611mm	140mm / 75mm*	Brass, Brushed Steel, Chrome, Blk Nickel	✗
		Devotion + Brantley	512mm	611mm	140mm / 75mm*	Brass, Brushed Steel, Chrome, Blk Nickel	✗
75	22" Chollerton	Chollerton	614mm	611mm	140mm / 75mm*	Brushed Steel, Chrome, Black Nickel	✓
77	22"-16" Chollerton**	Chollerton	612mm	611mm	140mm / 75mm*	Brushed Steel, Chrome, Black Nickel	✗
75	22" Chollerton Edge	Edge	612mm	611mm	140mm / 75mm*	Chrome or Black Nickel	✓
76	22" Cast Stove Front	Cast Stove Front	668mm	672mm	140mm	Matt Black	✓
79	22" Novus	Novus	651mm	610mm	156mm	Chrome or Black Nickel	✓
78	22" Coretta	3 bar	622mm	600mm	156mm	Chrome or Black Nickel	✓
78	22" Coretta	Arched	706mm	666mm	156mm	Anthracite	✓
78	22" Coretta	Straight	706mm	641mm	156mm	Anthracite	✓
72-73	22" Pryzm	Chollerton	614mm	611mm	140mm / 75mm*	Chrome, Brushed Steel or Black Nickel	✓
		Edge	614mm	611mm	140mm / 75mm*	Chrome or Black Nickel	✓
		Cast Stove Front	614mm	611mm	140mm / 75mm*	Matt Black	✓

\* 75mm achieved when used with Spacer frame

\*\* Spacer required for 16" back panel cut out

## Inset Electric Stoves

Page	Model	Width	Height	Depth	Inset Depth	Finish
80	Desire	485mm	589mm	250mm	69mm	Matt Black
80	Ora	489mm	598mm	260mm	69mm	Matt Black
80	Ignite	485mm	589mm	250mm	69mm	Matt Black

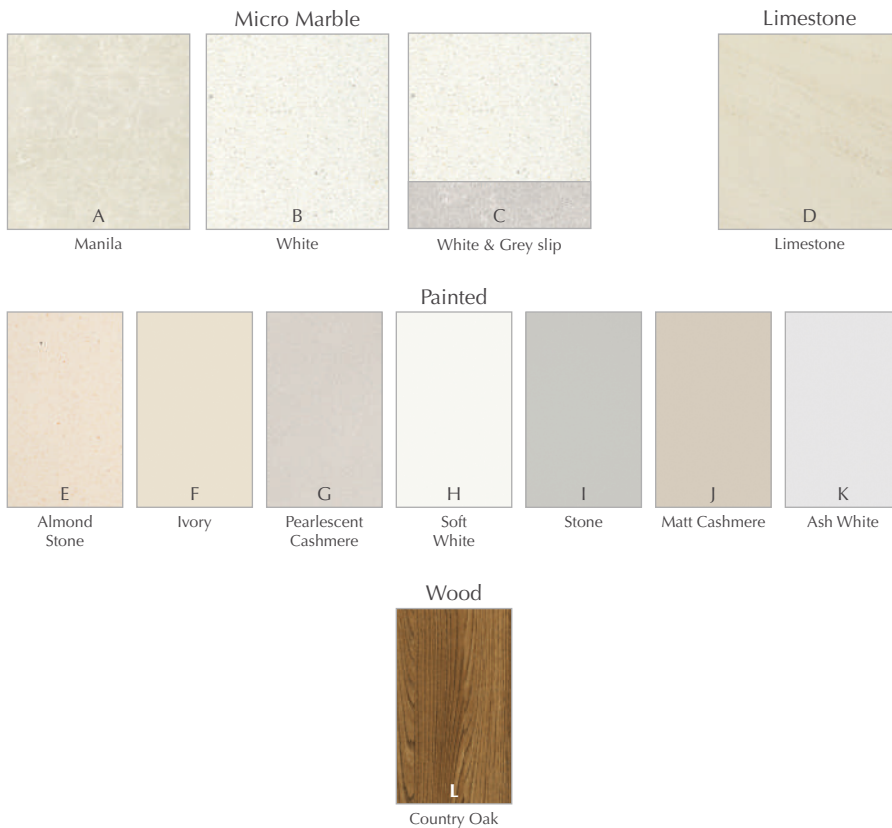
## Freestanding Electric Stoves

Page	Model	Width	Height	Depth	Finish
81	Beacon Large	586mm	599mm	286mm	Matt Black
81	Beacon Small	486mm	599mm	286mm	Matt Black



16" Ember Inset Electric Fire

# Finishes & dimensions



## Hearth Options



Slim hearths are 240mm deep, deep hearths are 400mm.



**BESPOKE SIZES.** Ask your local retailer for more information.

## Smartsense Lights



Undermantel Smartsense lighting is available on many of our surrounds.

*Find your local retailer*

Once you have chosen your favourite surround, picked the finest fire and measured up to ensure it will fit, it's time to visit your local showroom.

Admiring these British designed and manufactured fireplaces first hand is the best way to understand their quality and craftsmanship. Why not take paint charts, fabric samples or photos of your room to match with the surrounds.

If you need advice, you can trust the experience of our independent retailers.

To find your local retailer visit our website or call us.

***elginandhall.co.uk***  
**0191 430 9434**



COLLECT THE NEW PRYZM BROCHURE  
FROM YOUR LOCAL RETAILER

P R  Z M

REVOLUTIONIZING FLAMES



CAMINO

[www.elginandhall.co.uk/collection/pryzm](http://www.elginandhall.co.uk/collection/pryzm)

Patent Pending

UK Registered Designs

# bemodern®

For more information on our other brands,  
please contact them below.



**ELGIN & HALL®**  
BRITISH MADE

[www.elginandhall.co.uk](http://www.elginandhall.co.uk)

tel: 0191 430 9434

---

**P R Y Z M**  
REVOLUTIONIZING FLAMES

[www.elginandhall.co.uk/collection/pryzm](http://www.elginandhall.co.uk/collection/pryzm)

tel: 0191 430 9434

---

# **BROSELEY**

[www.broseleyfires.com](http://www.broseleyfires.com)

tel: 0191 486 8006

---

**evolution**  
by **BROSELEY**

[www.broseleyfires.com](http://www.broseleyfires.com)

tel: 0191 486 8006

---

# atlanta

BATHROOMS

[atlantabathrooms.com](http://atlantabathrooms.com)

tel: 0191 428 0444



**ELGIN & HALL**<sup>®</sup>  
BRITISH MADE



## Contact Us

*For more information or to place an order please contact us*

Tel: 0191 430 9434 | Email: [enquiries@elginandhall.co.uk](mailto:enquiries@elginandhall.co.uk) | Visit: [www.elginandhall.co.uk](http://www.elginandhall.co.uk)

BeModern<sup>®</sup> | 19/34 Bedesway | Bede Industrial Estate | Jarrow | Tyne and Wear | NE32 3BE

BeModern<sup>®</sup> hold design copyright and registration of design for its product ranges. BeModern<sup>®</sup> are continually striving to improve and develop their range of products. It is important, therefore, to check details before ordering as sizes and specifications may change without prior notice. Whilst every effort is made to ensure accuracy and colour, it is not always possible to obtain perfect reproduction because of the materials and printing processes used and you may find that shades, natural grain markings and marble colouring are not consistent. © BeModern<sup>®</sup> Sept 2019



✓ RoHS Compliant